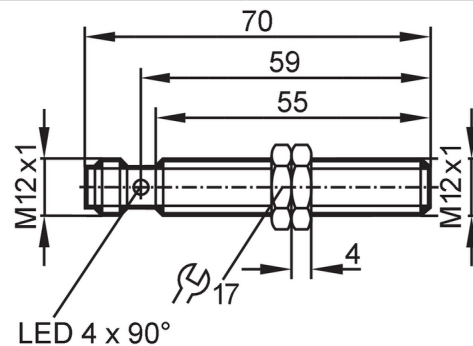


# IFS208



## Inductive sensor

IFKC004BASKG/2LED/US-104



### Product characteristics

Electrical design		PNP/NPN
Output function		normally open
Sensing range	[mm]	4
Housing		Threaded type
Dimensions	[mm]	M12 x 1 / L = 70

### Application

Special feature	gold-plated contacts; Increased sensing range; optical setting aid	
Application	Industrial applications	

### Electrical data

Operating voltage	[V]	10...30 DC
Current consumption	[mA]	< 15
Protection class		II
Reverse polarity protection		yes

### Outputs

Electrical design		PNP/NPN
Output function		normally open
Max. voltage drop switching output DC	[V]	2.8
Minimum load current	[mA]	2; (only in 2-wire operation)
Max. leakage current	[mA]	0.6
Permanent current rating of switching output DC	[mA]	100
Switching frequency DC	[Hz]	700
Short-circuit protection		yes
Type of short-circuit protection		yes (non-latching)
Overload protection		yes

### Monitoring range


Sensing range	[mm]	4
Real sensing range Sr	[mm]	4 ± 10 %
Operating distance	[mm]	0...3.24
Increased sensing range		yes

# IFS208



## Inductive sensor

IFKC004BASKG/2LED/US-104

Accuracy / deviations		
Correction factor	steel: 1 / stainless steel: 0.7 / brass: 0.5 / aluminum: 0.4 / copper: 0.3	
Hysteresis [% of Sr]	1...20	
Switch-point drift [% of Sr]	-10...10	
Operating conditions		
Ambient temperature [°C]	-25...70	
Protection	IP 67	
Tests / approvals		
EMC	EN 61000-4-2 ESD	4 kV CD / 8 kV AD
	EN 61000-4-3 HF radiated	10 V/m
	EN 61000-4-4 Burst	2 kV
	EN 61000-4-5 Surge	0,5 kV mains line to line
	EN 61000-4-6 HF conducted	10 V
	EN 55011	class B
MTTF [years]	1548	
UL approval	Ta	0...40 °C
	Enclosure type	Type 1
	voltage supply	Limited Voltage/Current
	UL approval number	A070
	File number UL	E174191
Mechanical data		
Weight [g]	31.1	
Housing	Threaded type	
Mounting	flush mountable	
Dimensions [mm]	M12 x 1 / L = 70	
Thread designation	M12 x 1	
Material	housing: brass white bronze coated; sensing face: PBT orange; LED window: PEI; lock nuts: brass white bronze coated	
Tightening torque [Nm]	7	
Displays / operating elements		
Display	Switching status	4 x 90° LED, yellow
	Setting aid	1 x LED, red
Optical setting aid	yes	
Accessories		
Items supplied	lock nuts: 2	
Remarks		
Remarks	suitable for PLC type 1 according to IEC 61131-2	
Pack quantity	1 pcs.	
Electrical connection - plug		
Connector: 1 x M12; coding: A; Contacts: 3, gold-plated		
		

# IFS208



## Inductive sensor

IFKC004BASKG/2LED/US-104

### Connection

