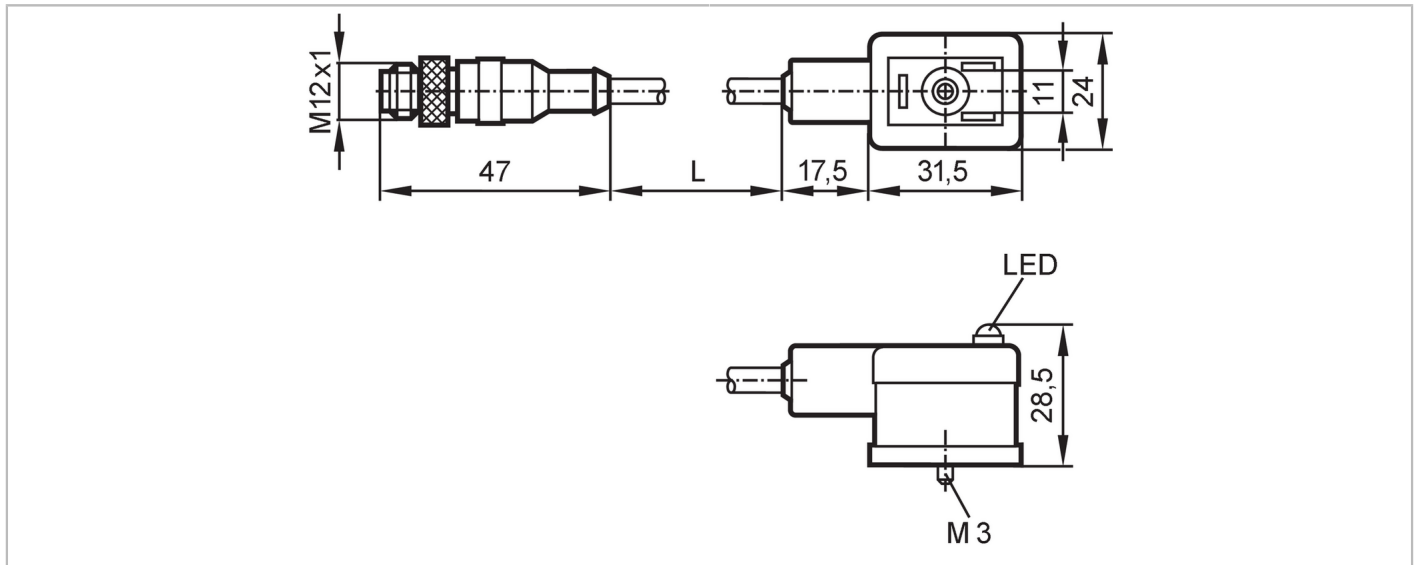


E11431



Patchcords with valve plug

VVSAB031MSS00,3H03STGH030MSS



Application		
Special feature	Free from silicone; Halogen-free; gold-plated contacts	
Application	Industrial applications	
Free from silicone	yes	
Electrical data		
Operating voltage [V]	< 24 AC/DC	
Overvoltage protection	yes; (VDR)	
Max. current load total [A]	3	
Operating conditions		
Ambient temperature [°C]	-25...80	
Protection	IP 67	
Mechanical data		
Weight [g]	59	
Material	housing: PUR	
Molded-body material	PUR	
Material nut	brass, nickel-plated	
Displays / operating elements		
Display	Switching status	1 x LED, yellow
Accessories		
Items supplied	screw: 1	panel for labelling: 1
Remarks		
Pack quantity	1 pcs.	

E11431

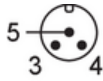


Patchcords with valve plug

VVSAB031MSS00,3H03STGH030MSS

Electrical connection - plug

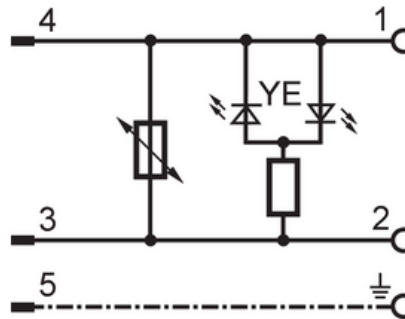
Connector: 1 x M12, straight; coding: A; Contacts: 3, gold-plated; Moulded body: PUR; Locking: brass, nickel-plated; Tightening torque: 0.7...0.9 Nm



Electrical connection

Cable: 0.3 m, PUR, Halogen-free, black, Ø 5 mm; 3 x 0.5 mm² (42 x Ø 0.1 mm)

Connection



Electrical connection - Socket

Connector: 1 x valve type B industrial standard, angled; Contacts: 3, nickel-plated brass; Moulded body: PUR; Locking: brass, nickel-plated; Tightening torque: 0.7...0.9 Nm

