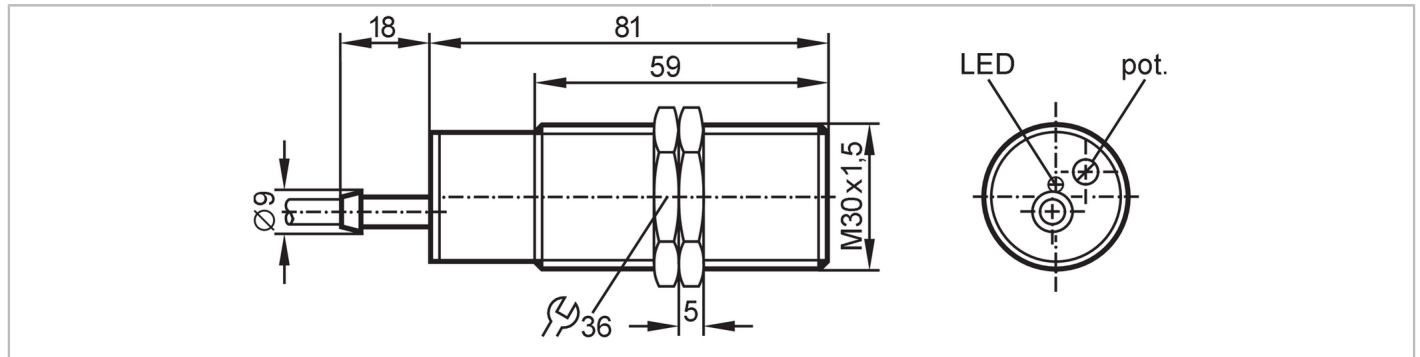


# KI5002



## Capacitive sensor

KI-3015-BPKG/NI



Product characteristics	
Electrical design	PNP
Output function	normally open
Sensing range [mm]	15
Housing	Threaded type
Dimensions [mm]	M30 x 1.5 / L = 81
Electrical data	
Operating voltage [V]	10...36 DC
Current consumption [mA]	13; (24 V)
Protection class	II
Reverse polarity protection	yes
Outputs	
Electrical design	PNP
Output function	normally open
Max. voltage drop switching output DC [V]	2.5
Permanent current rating of switching output DC [mA]	250
Switching frequency DC [Hz]	40
Short-circuit proof	yes
Overload protection	yes
Monitoring range	
Sensing range [mm]	15
Sensing range adjustable	yes
Factory setting sensing range [mm]	15
Real sensing range Sr [mm]	15 ± 10 %
Operating distance [mm]	0...12.1
Accuracy / deviations	
Correction factor	glass: 0.4 / water: 1 / ceramics: 0.2 / PVC: 0.2
Hysteresis [% of Sr]	1...15
Switch-point drift [% of Sr]	-15...15
Operating conditions	
Ambient temperature [°C]	-25...70

# KI5002



## Capacitive sensor

KI-3015-BPKG/NI

Protection	IP 65
Increased immunity	yes; (Increased immunity to conducted radio frequency interference)

### Tests / approvals

EMC	EN 60947-5-2
MTTF [years]	778

### Mechanical data

Weight [g]	193.5
Housing	Threaded type
Mounting	non-flush mountable
Dimensions [mm]	M30 x 1.5 / L = 81
Thread designation	M30 x 1.5
Material	housing: PBT

### Displays / operating elements

Display	Switching status	1 x LED, yellow
---------	------------------	-----------------

### Accessories

Items supplied	lock nuts: 2
----------------	--------------

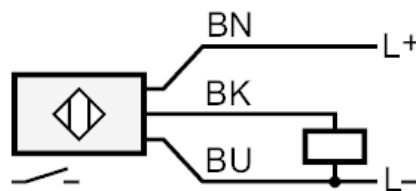
### Remarks

Pack quantity	1 pcs.
---------------	--------

### Electrical connection

Cable: 2 m, PVC; 3 x 0.5 mm<sup>2</sup>

#### Connection



Core colors :  
BN = brown  
BU = blue  
BK = black