

# DI5003



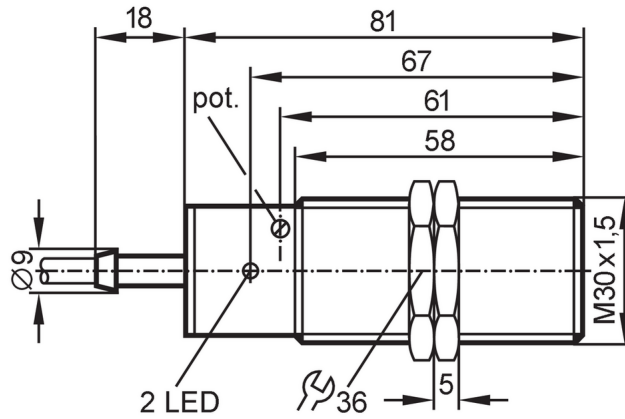
## Compact evaluation unit for speed monitoring

DIA3010-ZPKG/30-3000 I/MIN

Article no longer available - archive entry

Alternative articles: DI5020

When selecting an alternative article and accessories please note that technical data may differ!



### Product characteristics

Electrical design	PNP
Output function	normally open
Sensing range [mm]	10
Housing	threaded type
Dimensions [mm]	M30 x 1.5 / L = 81

### Application

Application	simple evaluation of rotating and linear movement with regard to underspeed; blocking
-------------	---

### Electrical data

Nominal voltage DC [V]	10...36
Current consumption [mA]	< 15
Reverse polarity protection	yes

### Outputs

Total number of outputs	1
Electrical design	PNP
Output function	normally open
Max. voltage drop switching output DC [V]	2.5
Permanent current rating of switching output DC [mA]	250
Short-time current rating of switching output [mA]	250
Short-circuit proof	yes
Overload protection	yes

### Detection zone

Sensing range [mm]	10
Sensing range adjustable	no

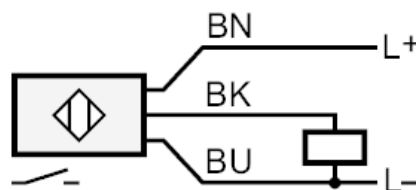
# DI5003



## Compact evaluation unit for speed monitoring

DIA3010-ZPKG/30-3000 I/MIN

Measuring/setting range		
Setting range	[Imp/min]	30...3000
Accuracy / deviations		
Correction factor		steel: 1 / stainless steel: 0.7 / brass: 0.5 / aluminium: 0.4 / copper: 0.3
Hysteresis	[% of Sr]	10
Response times		
Start-up delay	[s]	15
Max. damping frequency	[Imp/min]	15000
Software / programming		
Adjustment of the switch point		multiturn potentiometer
Operating conditions		
Ambient temperature	[°C]	-25...80
Protection		IP 67
Mechanical data		
Weight	[g]	258.4
Housing		threaded type
Mounting		flush mountable
Dimensions	[mm]	M30 x 1.5 / L = 81
Thread designation		M30 x 1.5
Materials		housing: brass special coating; sensing face: PBT
Tightening torque	[Nm]	50
Displays / operating elements		
Display	switching status	1 x LED, green
Electrical connection		
Cable: 2 m, PVC; 3 x 0.5 mm <sup>2</sup>		
Connection		



Core colours :  
 BK = black  
 BN = brown  
 BU = blue