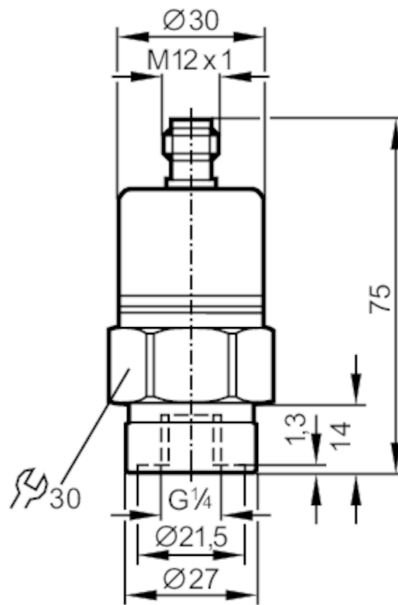


PA3023



Pressure transmitter with ceramic measuring cell

PA-025-RBR14-A-ZVG/US/ IV



Product characteristics

Number of inputs and outputs	Number of analog outputs: 1		
Measuring range	0...25 bar	0...363 psi	0...2.5 MPa
Process connection	threaded connection G 1/4 Internal thread		

Application

Special feature	gold-plated contacts		
Application	for industrial applications; for railway applications		
Media	liquids and gases		
Medium temperature [°C]	-25...90; (on request: -40...90 °C)		
Min. burst pressure	350 bar	5075 psi	35 MPa
Pressure rating	150 bar	2175 psi	15 MPa
Type of pressure	relative pressure		

Electrical data

Operating voltage [V]	9.6...32 DC		
Min. insulation resistance [MΩ]	100; (500 V DC)		
Protection class	III		
Reverse polarity protection	yes		

Inputs / outputs

Number of inputs and outputs	Number of analog outputs: 1		
------------------------------	-----------------------------	--	--

Outputs

Total number of outputs	1		
Output signal	analog signal		
Number of analog outputs	1		
Analog current output [mA]	4...20		

PA3023



Pressure transmitter with ceramic measuring cell

PA-025-RBR14-A-ZVG/US/ IV

Max. load	[Ω]	720; (U _b = 24 V; (U _b - 9,6 V) / 20 mA)		
Overload protection		yes		
Measuring/setting range				
Measuring range		0...25 bar	0...363 psi	0...2.5 MPa
Accuracy / deviations				
Repeatability	[% of the span]	< 0,1; (with temperature fluctuations < 10 K)		
Characteristics deviation	[% of the span]	< ± 0,25 (BFSL) / < ± 0,5 (LS); (BFSL = Best Fit Straight Line; LS = limit value setting)		
Long-term stability	[% of the span]	< ± 0,05; (per 6 months)		
Temperature coefficient zero point	[% of the span / 10 K]	0,1; (0...80 °C)		
Temperature coefficient span	[% of the span / 10 K]	0,2; (0...80 °C)		
Reaction times				
Step response time analog output	[ms]	3		
Operating conditions				
Ambient temperature	[°C]	-25...80		
Storage temperature	[°C]	-40...100		
Protection		IP 65		
Tests / approvals				
EMC	EN 61000-4-2 ESD	4 kV CD / 8 kV AD		
	EN 61000-4-3 HF radiated	30 V/m		
	EN 61000-4-4 Burst	2 kV		
	EN 61000-4-6 HF conducted	10 V		
	radiation of interference	according to the automotive directive 2004/104/EC		
	CISPR 25			
	noise immunity	according to the automotive directive 2004/104/EC		
Shock resistance	ISO 11452-2 HF radiated	100 V/m		
	ISO 7637-2 pulse	severity level 4		
	DIN EN 60068-2-27	50 g (11 ms)		
Vibration resistance	DIN EN 61373	Category 3		
	DIN EN 60068-2-6	20 g (10...2000 Hz)		
	DIN EN 61373	Category 2		
MTTF	[years]	506		
Pressure equipment directive		sound engineering practice; can be used for group 2 fluids; group 1 fluids on request		
Railway applications		DIN EN 50155 / IEC 60571	Klasse T3, C1, S1	
Mechanical data				
Weight	[g]	223		
Housing		tubular		
Dimensions	[mm]	Ø 30 / L = 75		
Material		stainless steel (1.4404 / 316L); FKM; PA; EPDM/X		
Materials (wetted parts)		stainless steel (1.4305 / 303); ceramics; FKM		

PA3023



Pressure transmitter with ceramic measuring cell

PA-025-RBR14-A-ZVG/US/ IV

Min. pressure cycles	100 million
Process connection	threaded connection G 1/4 Internal thread
Restrictor element integrated	no (can be retrofitted)

Remarks

Pack quantity	1 pcs.
---------------	--------

Electrical connection

Connector: 1 x M12; coding: A; Contacts: 4, gold-plated



Connection

