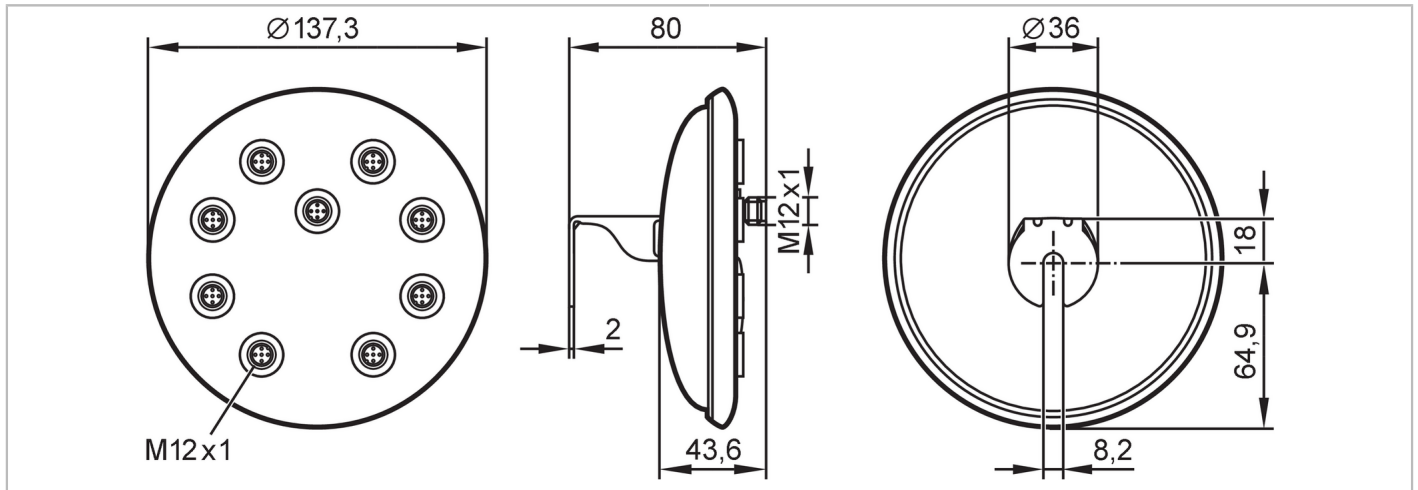


AC2900



AS-Interface ProcessLine module

ProcessLine 8 SB IP69K



Application	
Application	sanitary and wet areas in the food industry
Electrical data	
Operating voltage [V]	26.5...31.6 DC
Max. current load per module/slot [A]	4; (AS-i: 4 A; AUX: 4 A)
Additional voltage supply [V]	20...30 DC; (AUX)
Operating conditions	
Ambient temperature [°C]	-5...70
Storage temperature [°C]	-5...70
Max. relative air humidity [%]	90; (non condensing)
Max. height above sea level [m]	2000
Protection	IP 68; IP 69K
Degree of soiling	2
Tests / approvals	
EMC	EN 62026-2 EN 61000-6-2
Mechanical data	
Weight [g]	613.5
Housing	tubular
Type of mounting	Mounting base
Dimensions [mm]	Ø 137.3 / L = 80
Material	housing: stainless steel; O-ring: EPDM; Protective caps: PP
Sealing material	EPDM
Electrical connection	
Module connection	M12
Accessories	
Items supplied	Protective cap: 8 x M12, E70297
Accessories (optional)	Torque wrench:, E70390

AC2900



AS-Interface ProcessLine module

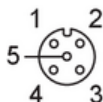
ProcessLine 8 SB IP69K

Remarks

Pack quantity | 1 pcs.

Electrical connection - Socket

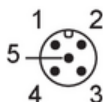
Connector: 8 x M12; coding: A; sealing: EPDM; Tightening torque: 1.2...1.4 Nm; Maximum cable length: 20 m



- | | |
|---|--------|
| 1 | AS-i+ |
| 2 | 0 V |
| 3 | AS-i - |
| 4 | +24 V |
| 5 | FE |

Electrical connection - plug

Connector: 1 x M12; coding: A; sealing: EPDM; Tightening torque: 1.2...1.4 Nm; Maximum cable length: 2 m



- | | |
|---|--------|
| 1 | AS-i+ |
| 2 | 0 V |
| 3 | AS-i - |
| 4 | +24 V |
| 5 | FE |