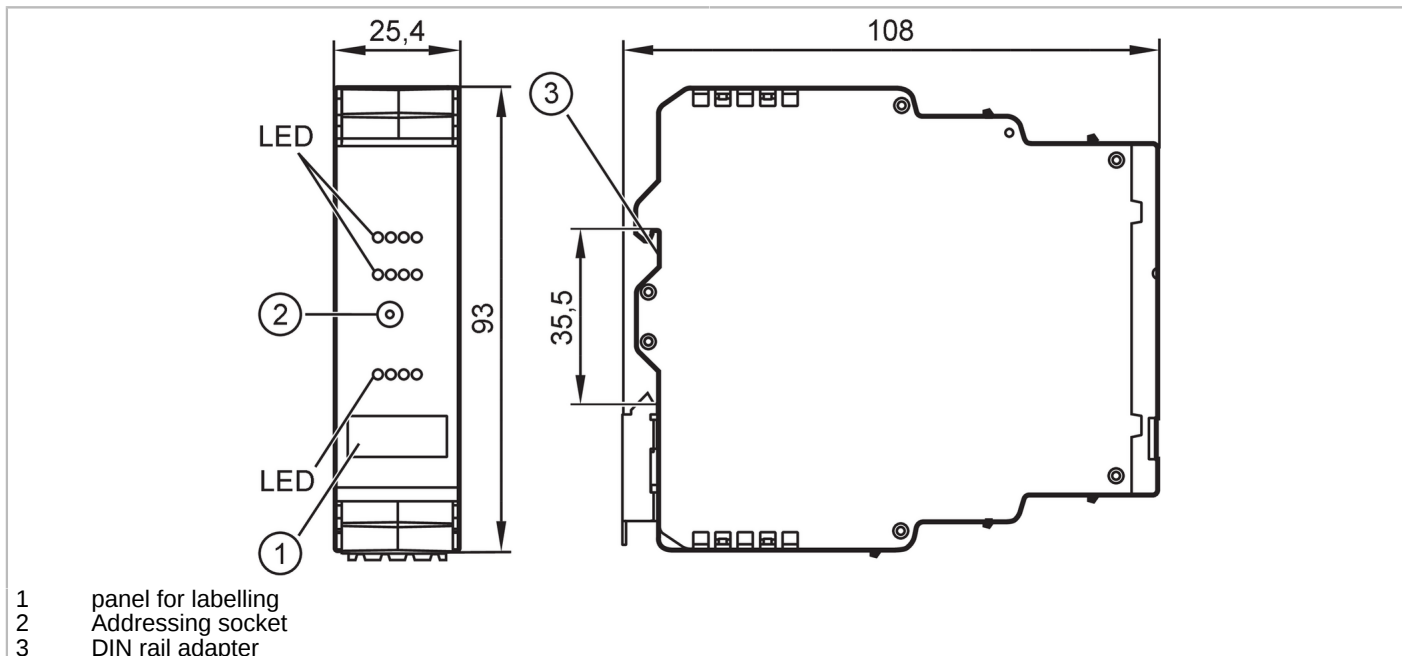


AC2255



AS-Interface control cabinet module

SmartL25 4DI 2DO R C



Application	
Design	housing for DIN rail mounting
Application	I/O modules for control cabinet installations
Electrical data	
Operating voltage [V]	26.5...31.6 DC
Max. current consumption from AS-i [mA]	50
Additional voltage supply [V]	20...30 DC; (AUX)
Max. current consumption from additional supply [mA]	600; (AUX)
Integrated watchdog	yes
Inputs / outputs	
Number of inputs and outputs	Number of digital inputs: 4; Number of relay outputs: 2
Inputs	
Number of digital inputs	4
Input circuit of digital inputs	PNP; (type 2 according to IEC 61131-2)
Sensor supply of the inputs	AUX
Voltage supply [V]	18...30; (DC)
Max. total current rating of inputs [mA]	500
Input current High [mA]	6...10
Input current low [mA]	0...2
Switching level high [V]	> 11
Digital inputs protected against short circuits	yes



AS-Interface control cabinet module

SmartL25 4DI 2DO R C

Outputs	
Voltage range DC [V]	24
Voltage range AC [V]	10...240
Max. current load per output [mA]	6000; (240 V AC; 24 V DC; resistive load)
Number of relay outputs	2
Contact rating	6 A; (max. 240 V AC / 24 V DC see diagram:: Contact rating normally open (NO): B300: 6000 cycles)
Short-circuit proof	no
Electrically separated	yes

Operating conditions	
Ambient temperature [°C]	-25...60
Max. relative air humidity [%]	90; (non condensing)
Max. height above sea level [m]	2000
Protection	IP 20
Degree of soiling	2

Tests / approvals	
EMC	EN 61000-6-2
	EN 62026-2
	EN 50581
MTTF [years]	383
Notes	The device shall be supplied from an isolating source.; This voltage source must have a secondary UL-listed fuse (see enclosed sheet).; Alternatively, a class 2 power supply can be used to supply AUX.

AS-i classification																
AS-i version	2.11; 3.0															
AS-i addressing	Addressing socket															
Extended addressing mode	yes															
AS-i master profile	M2; M3; M4															
AS-i profile	S-7.A.E															
AS-i I/O configuration [hex]	7															
AS-i ID code [hex]	A.E															
AS-i certificate pending	yes															
Data bits	<table border="1"> <thead> <tr> <th>Data bit</th> <th>D0</th> <th>D1</th> <th>D2</th> <th>D3</th> </tr> </thead> <tbody> <tr> <td>Input</td> <td>I-1</td> <td>I-2</td> <td>I-3</td> <td>I-4</td> </tr> <tr> <td>Output</td> <td>O-1</td> <td>O-2</td> <td>-</td> <td>-</td> </tr> </tbody> </table>	Data bit	D0	D1	D2	D3	Input	I-1	I-2	I-3	I-4	Output	O-1	O-2	-	-
Data bit	D0	D1	D2	D3												
Input	I-1	I-2	I-3	I-4												
Output	O-1	O-2	-	-												

Mechanical data	
Weight [g]	150.2
Housing	rectangular
Type of mounting	Mounting on DIN rail; (TH35 (EN 60715))
Dimensions [mm]	93 x 25.4 x 108
Material	PC-GF20

Displays / operating elements		
Display	Switching status	LED, yellow I1...I4, O1....O2
	Power	LED, green AS-i, AUX
	errors	LED, red

AC2255



AS-Interface control cabinet module

SmartL25 4DI 2DO R C

Accessories

Accessories (optional)	connector
------------------------	-----------

Remarks

Pack quantity	1 pcs.
---------------	--------

Electrical connection

pin header:

Connection

I-	I-	E+	E-
I1	I2	I3	I4
I+	I+	I+	I+

14	11	11	12
24	21	21	22
A+	A-		

A+	AS-i +
A-	AS-i -
I+	Sensor supply +24V
I-	Sensor supply 0V
E+	External voltage supply for sensors + 24 V (AUX)
E-	External voltage supply for sensors + 0 V (AUX)
I1...I4	Switching input sensor 1...4
O1...O2	Switching output Relay 1...2
11	Relay O1 changeover contact, common
12	Relay O1 Changeover contact, normally closed
14	Relay O1 Changeover contact, normally open
21	Relay O2 changeover contact, common
22	Relay O2 Changeover contact, normally closed
24	Relay O2 Changeover contact, normally open

AC2255

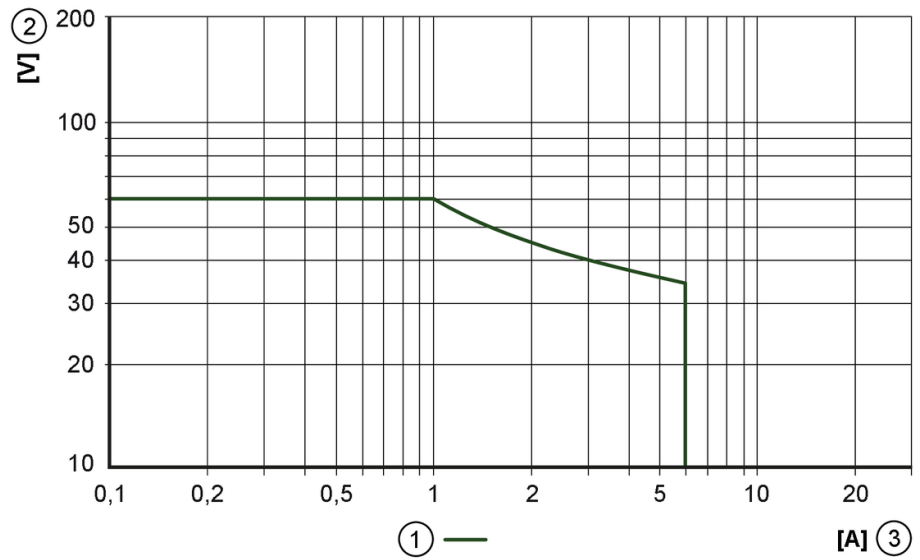


AS-Interface control cabinet module

SmartL25 4DI 2DO R C

Diagrams and graphs

Contact rating



- 1 resistive load
- 2 Voltage [DC]
- 3 Current [DC]