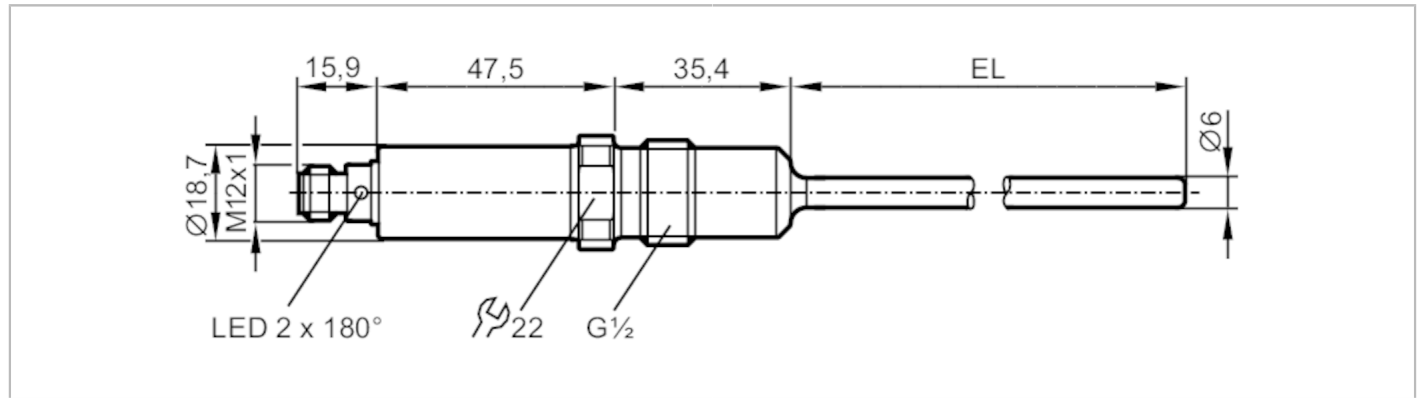


TA2532



Temperature transmitter

TA-100CLER12- - /US



EC 1935/2004

EHEDG Certified

FCM



IO-Link



Product characteristics

Number of inputs and outputs	Number of analog outputs: 1
Measuring range [°C]	-50...200
Communication interface	IO-Link
Process connection	threaded connection G 1/2 external thread sealing cone
Installation length EL [mm]	100

Application

Measuring element	1 x Pt 1000; (to DIN EN 60751, class A)	
Media	liquids and gases	
Pressure rating	160 bar	16 MPa
Vacuum resistance	-1000 mbar	-0.1 MPa
MAWP (for applications according to CRN) [bar]	160	

Electrical data

Operating voltage [V]	18...32 DC; (cULus - Class 2 source required)	
Current consumption [mA]	< 50	
Protection class	III	
Reverse polarity protection	yes	
Power-on delay time [s]	2	

Inputs / outputs

Number of inputs and outputs	Number of analog outputs: 1
------------------------------	-----------------------------

Outputs

Total number of outputs	1
Output signal	analog signal; IO-Link; (configurable)
Number of analog outputs	1
Analog current output [mA]	4...20
Max. load [Ω]	250; ((18...19 V); 19...32 V: 300 Ω)
Short-circuit protection	yes
Overload protection	yes

Measuring/setting range

Probe length L [mm]	100
Measuring range [°C]	-50...200

TA2532



Temperature transmitter

TA-100CLER12- - /US

Factory setting	0...200 °C	
Resolution		
Resolution of analog output [K]	0.04	
Accuracy / deviations		
Precision analog output [K]	± 0,3 + (± 0,1 % MS)	
Temperature coefficient [% of the span / 10 K]	0,1; (In case of deviation from the reference condition 25 ± 5 °C)	
Reaction times		
Dynamic response T05 / T09 [s]	< 0,5 / < 2	
Interfaces		
Communication interface	IO-Link	
Transmission type	COM2 (38,4 kBaud)	
IO-Link revision	1.1	
Profiles	Smart Sensor - SSP 0	Generic Profiled Sensor
	Function	Device identification
	Function	Process data variable
Min. process cycle time [ms]	2.3	
Supported DeviceIDs	Type of operation	DeviceID
	default	446
Operating conditions		
Ambient temperature [°C]	-25...80	
Note on ambient temperature	at medium temperature: < 160 °C	
	-25...60 °C	
Storage temperature [°C]	at medium temperature: < 200 °C	
	-40...100	
Protection	IP 67; IP 68; IP 69K	
Tests / approvals		
EMC	DIN EN 61000-6-2	
	DIN EN 61000-6-3	
Shock resistance	DIN IEC 68-2-27	50 g (11 ms)
Vibration resistance	DIN IEC 68-2-6	10 g (10...2000 Hz)
MTTF [years]	232	
Note on approval	Factory certificate available as download at www.factory-certificate.ifm	
UL approval	UL approval number	K002
Mechanical data		
Weight [g]	231.5	
Housing	tubular	
Dimensions [mm]	Ø 18.7 / L = 198.8	
Material	stainless steel (1.4404 / 316L); PEI; FKM	
Materials (wetted parts)	stainless steel (1.4404 / 316L) electropolished	
Tightening torque [Nm]	30...50	
Process connection	threaded connection G 1/2 external thread sealing cone	
Surface characteristics Ra/Rz of the wetted parts	Ra < 0.8 µm	
Probe diameter [mm]	6	

TA2532



Temperature transmitter

TA-100CLER12- - /US

Installation length EL [mm] 100

Remarks

Remarks	MS = set measuring span The values for accuracy apply to flowing water.
Pack quantity	1 pcs.

Electrical connection

Connector: 1 x M12; coding: A



Connection

