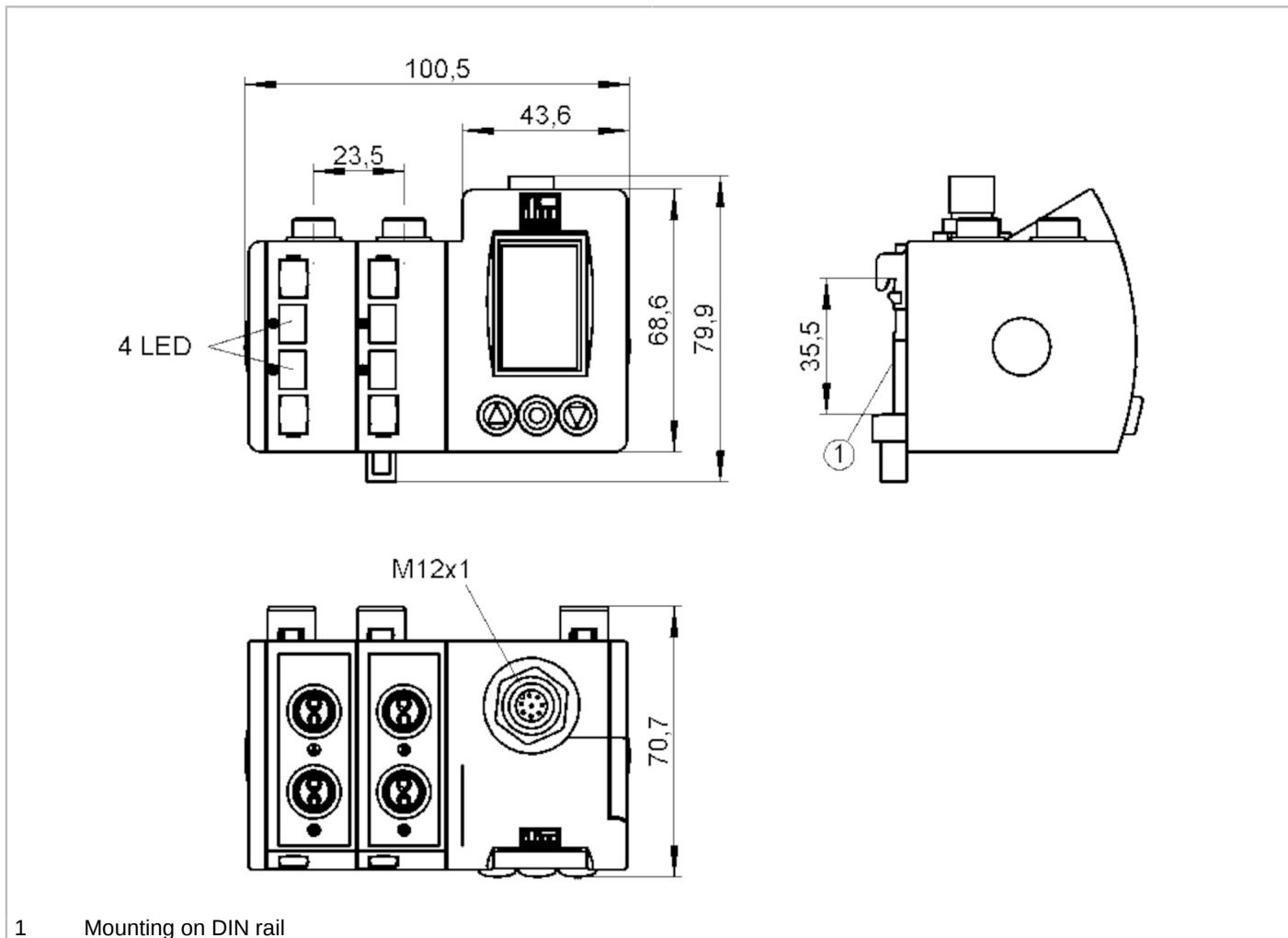


OO5005



Fiber-optic amplifier

OO5-FPKG/M12/GL4



1 Mounting on DIN rail



Product characteristics		
Type of light		red light
Housing		rectangular
Application		
Special feature		Function check output
Electrical data		
Operating voltage	[V]	12...36 DC
Current consumption	[mA]	50; ((24 V))
Max. power consumption	[VA]	1.2
Protection class		III
Reverse polarity protection		yes
Type of light		red light
Wave length	[nm]	630
Outputs		
Electrical design		PNP
Output function		light-on/dark-on mode; (programmable)

OO5005



Fiber-optic amplifier

OO5-FPKG/M12/GL4

Max. voltage drop switching output DC [V]	2
Function check output	yes
Max. current load for function check output [mA]	200
Permanent current rating of switching output DC [mA]	200
Switching frequency DC [Hz]	1500
Notes on switching frequency [Hz]	typical
Short-circuit protection	yes
Type of short-circuit protection	yes (non-latching)
Overload protection	yes
Time function [s]	0.001...0.1

Monitoring range	
Range [m]	< 0.4; (Through-beam sensor)
Range [mm]	0...200; (Diffuse reflection sensor)
Range adjustable	yes

Software / programming	
Parameter setting options	automatic and manual switch point setting; AND / OR logic functions; second switch point

Operating conditions	
Ambient temperature [°C]	-20...60
Protection	IP 65

Tests / approvals		
EMC	EN 60947-5-2	
	EN 55011	class B

Mechanical data	
Weight [g]	508
Housing	rectangular
Dimensions [mm]	79.9 x 100.5 x 70.7
Number of channels	4
Fiber optic connection	FE-00 / FT-00
Material	housing: ABS; display window: PMMA; LED window: SEPS; cover: diecast zinc plastic coated (PA)
Lens alignment	Side sensing

Displays / operating elements	
Display	full graphic LCD display, rotation of the display by 180° possible language selection (German, English, French)
	Switching status
Electronic lock	yes

Accessories	
Items supplied	rail: 1 x 89 mm, EN 60715

Remarks	
Remarks	cULus - Class 2 source required
Pack quantity	1 pcs.

OO5005

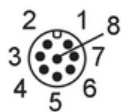


Fiber-optic amplifier

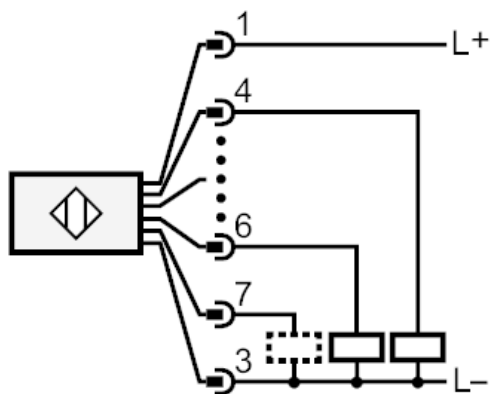
OO5-FPKG/M12/GL4

Electrical connection

Connector: 1 x M12; coding: A



Connection



- 4: Out 1
- 2: Out 2
- 5: Out 3
- 6: Out 4

7 Function check output