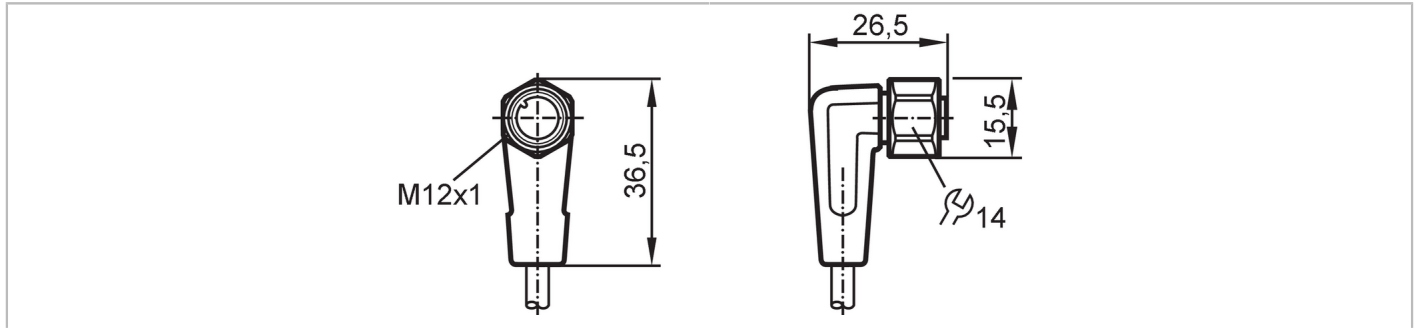


EVT067



Female cordset

ADOAH040VAS0002E04



Application		
Special feature	Free from silicone; gold-plated contacts; Drag chain suitability	
Application	sanitary and wet areas in the food industry	
Free from silicone	yes	
Electrical data		
Operating voltage [V]	< 250 AC / < 300 DC	
Protection class	II	
Max. current load total [A]	4	
Operating conditions		
Ambient temperature [°C]	-25...100	
Note on ambient temperature	cULus: ...50 °C	
Ambient temperature (moving) [°C]	5...100	
Note on ambient temperature (moving)	cULus: ...50 °C	
Storage temperature [°C]	-25...55	
Storage humidity [%]	10...100	
Other climatic conditions for storage according to stated class	1K22/ DIN 60721-3-1	
Protection	IP 65; IP 67; IP 68; IP 69K	
Mechanical data		
Weight [g]	92.4	
Dimensions [mm]	26.5 x 15.5 x 36.5	
Molded-body material	PVC	
Material nut	stainless steel (1.4404 / 316L)	
Sealing material	EPDM	
Drag chain suitability	yes	
Drag chain suitability	Bending radius for flexible applications	min. 10 x cable diameter
	Travel speed	max. 3.3 m/s for a horizontal travel length of 5 m and max. acceleration of 5 m/s ²
	Bending cycles	> 1 Mio.
	Torsional strain	± 180 °/m
Remarks		
Pack quantity	1 pcs.	

EVT067



Female cordset

ADOAH040VAS0002E04

Electrical connection

Cable: 2 m, PVC, orange, \varnothing 4.9 mm; 4 x 0.34 mm² (42 x \varnothing 0.1 mm)

Electrical connection - Socket

Connector: 1 x M12, angled; coding: A; Contacts: 4, gold-plated; Moulded body: PVC, orange; Locking: stainless steel (1.4404 / 316L); sealing: EPDM; Tightening torque: 0.6...1.5 Nm



Connection



Core colors :
BK = black
BN = brown
BU = blue
WH = white