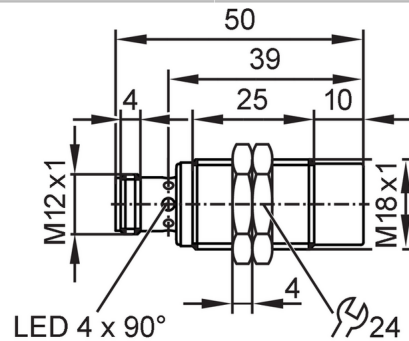


# IGC205



## Inductive sensor

IGB3012-BPKG/US-104



### Product characteristics

Electrical design		PNP
Output function		normally open
Sensing range	[mm]	12
Housing		threaded type
Dimensions	[mm]	M18 x 1 / L = 50

### Application

Special feature	Gold-plated contacts; Increased sensing range	
Application	Industrial applications / factory automation; Use in machine tools, coolants and lubricants	

### Electrical data

Operating voltage	[V]	10...30 DC
Current consumption	[mA]	< 10
Protection class		II
Reverse polarity protection		yes

### Outputs

Electrical design		PNP
Output function		normally open
Max. voltage drop switching output DC	[V]	2.5
Permanent current rating of switching output DC	[mA]	100
Switching frequency DC	[Hz]	300
Short-circuit protection		yes
Overload protection		yes

### Detection zone

Sensing range	[mm]	12
Real sensing range Sr	[mm]	12 ± 10 %
Operating distance	[mm]	0...9.72
Increased sensing range		yes

### Accuracy / deviations

Correction factor		steel: 1 / stainless steel: 0.7 / brass: 0.5 / aluminium: 0.4 / copper: 0.3
Hysteresis	[% of Sr]	3...15
Switch point drift	[% of Sr]	-10...10

# IGC205



## Inductive sensor

IGB3012-BPKG/US-104

### Operating conditions

Ambient temperature	[°C]	-25...70
Protection		IP 68

### Tests / approvals

EMC	EN 61000-4-2 ESD	4 kV CD / 8 kV AD
	EN 61000-4-3 HF radiated	10 V/m
	EN 61000-4-4 Burst	2 kV
	EN 61000-4-6 HF conducted	10 V
	EN 55011	class B
MTTF	[years]	1134
Embedded software included		no
UL approval	Ta	0...40 °C
	Enclosure type	Type 1
	UL approval no.	A003
	File number UL	E174191

### Mechanical data

Weight	[g]	43.8
Housing		threaded type
Mounting		non-flush mountable
Dimensions	[mm]	M18 x 1 / L = 50
Thread designation		M18 x 1
Materials		housing: brass white bronze coated; sensing face: LCP white; LED window: PEI; lock nuts: brass white bronze coated

### Displays / operating elements

Display	switching status	4 x 90° LED, yellow
---------	------------------	---------------------

### Accessories

Items supplied		lock nuts: 2
----------------	--	--------------

### Remarks

Pack quantity		1 pcs.
---------------	--	--------

### Electrical connection - plug

Connector: 1 x M12; coding: A; Contacts: 3, gold-plated

The diagram shows a circular M12 connector with three pins. Pin 1 is at the top, pin 3 is at the bottom left, and pin 4 is at the bottom right.

# IGC205



## Inductive sensor

IGB3012-BPKG/US-104

### Connection

