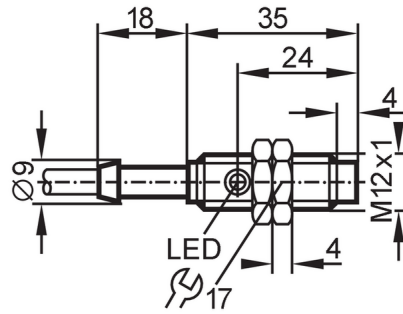


# IF5250



## Inductive sensor

IFB3004-APKG



### Product characteristics

Electrical design		PNP
Output function		normally closed
Sensing range	[mm]	4
Housing		Threaded type
Dimensions	[mm]	M12 x 1 / L = 35

### Electrical data

Operating voltage	[V]	10...36 DC
Current consumption	[mA]	15; (24 V)
Protection class		III
Reverse polarity protection		yes

### Outputs

Electrical design		PNP
Output function		normally closed
Max. voltage drop switching output DC	[V]	2.5
Permanent current rating of switching output DC	[mA]	150
Switching frequency DC	[Hz]	1500
Short-circuit protection		yes
Type of short-circuit protection		yes (non-latching)
Overload protection		yes

### Monitoring range

Sensing range	[mm]	4
Real sensing range Sr	[mm]	4 ± 10 %
Operating distance	[mm]	0...3.25

### Accuracy / deviations

Correction factor		steel: 1 / stainless steel: 0.7 / brass: 0.4 / aluminum: 0.3 / copper: 0.2
Hysteresis	[% of Sr]	3...15
Switch-point drift	[% of Sr]	-10...10

### Operating conditions

Ambient temperature	[°C]	-25...80
Protection		IP 67

# IF5250



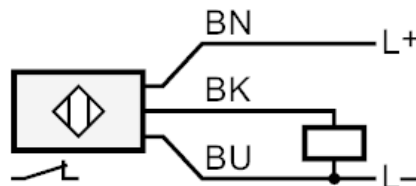
## Inductive sensor

IFB3004-APKG

Tests / approvals		
EMC	EN 60947-5-2	
	EN 55011	class B
MTTF	[years]	2531
Mechanical data		
Weight	[g]	95
Housing		Threaded type
Mounting		non-flush mountable
Dimensions	[mm]	M12 x 1 / L = 35
Thread designation		M12 x 1
Material		housing: brass white bronze coated; sensing face: PC
Displays / operating elements		
Display	Switching status	1 x LED, yellow
Accessories		
Items supplied		lock nuts: 2
Remarks		
Pack quantity		1 pcs.

**Electrical connection**  
Cable: 2 m, PVC; 3 x 0.34 mm<sup>2</sup>

### Connection



Core colors :  
BN = brown  
BU = blue  
BK = black