

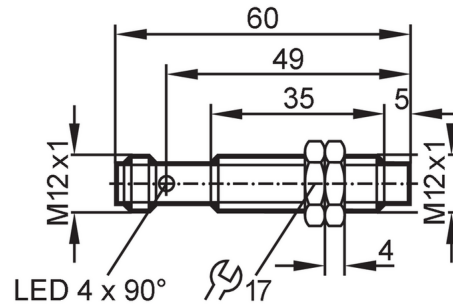


## Inductive AS-Interface sensor

IFK2007-ASI /M/US-104

Article to be discontinued

Discontinuation date: 03/31/2026



### Product characteristics

Electrical design		AS-i
Sensing range	[mm]	7
Housing		Threaded type
Dimensions	[mm]	M12 x 1 / L = 60

### Application

Special feature		gold-plated contacts
Application		Industrial applications; Oils and coolants

### Electrical data

Operating voltage	[V]	26.5...31.6 DC
Current consumption	[mA]	< 30
Protection class		III
Reverse polarity protection		yes
Max. power-on delay time	[ms]	1000

### Outputs

Electrical design		AS-i
Switching frequency DC	[Hz]	100

### Monitoring range

Sensing range	[mm]	7
Real sensing range Sr	[mm]	7 ± 10 %
Operating distance	[mm]	0...5.7

### Accuracy / deviations

Correction factor		steel: 1 / stainless steel: 0.7 / brass: 0.5 / aluminum: 0.5 / copper: 0.4
Hysteresis	[% of Sr]	1...20
Switch-point drift	[% of Sr]	-10...10

### Operating conditions

Ambient temperature	[°C]	-25...70
Protection		IP 68; ("Coolant")



## Inductive AS-Interface sensor

IFK2007-ASI /M/US-104

Tests / approvals		
EMC	EN 61000-4-2 ESD	4 kV CD / 8 kV AD
	EN 61000-4-3 HF radiated	10 V/m
	EN 61000-4-4 Burst	2 kV
	EN 61000-4-6 HF conducted	10 V
	EN 55011	class B
MTTF	[years]	1696
UL approval	Ta	-25...70 °C
	Enclosure type	Type 1
	voltage supply	Limited Voltage/Current
	File number UL	E174191

AS-i classification					
AS-i version	2.1				
Extended addressing mode	yes				
AS-i I/O configuration	[hex] 0				
AS-i ID code	[hex] A.F				
AS-i certificate	57101				
Data bits	Description	switching signal	not used	not used	not used
	status = 0	target outside the active zone	-	-	-
	status = 1	target within the active zone	default value	default value	default value

Mechanical data	
Weight	[g] 32.8
Housing	Threaded type
Mounting	non-flush mountable
Dimensions	[mm] M12 x 1 / L = 60
Thread designation	M12 x 1
Material	stainless steel (1.4404 / 316L); sensing face: LCP uncolored

Displays / operating elements		
Display	Switching status	4 x 90° LED, yellow
	Function	1 x LED, red

Accessories	
Items supplied	lock nuts: 2

Remarks	
Pack quantity	1 pcs.

Electrical connection - plug	
Connector: 1 x M12; coding: A; Contacts: 4, gold-plated	

# IFC248



## Inductive AS-Interface sensor

IFK2007-ASI /M/US-104

### Connection

