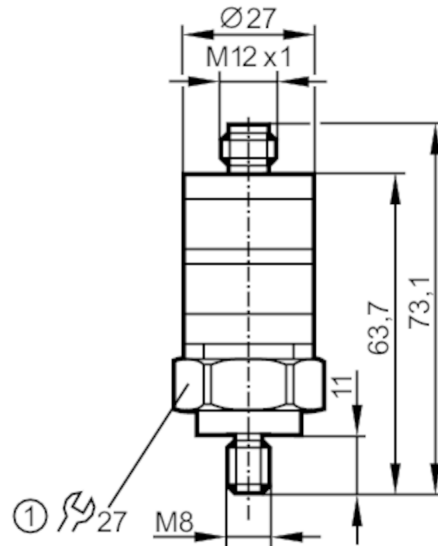




Vibration monitor with intuitive switch point setting

VIBRATION MONITOR



1 Tightening torque 15 Nm
M8 x 1.25 mm



Product characteristics

Measuring range of vibration [mm/s]	0...25; (RMS)
Frequency range [Hz]	10...1000

Application

Application	Vibration monitor to DIN ISO 10816
-------------	------------------------------------

Electrical data

Operating voltage [V]	18...32 DC
Current consumption [mA]	< 50
Protection class	III
Type of sensor	Microelectromechanical system (MEMS)

Inputs / outputs

Total number of inputs and outputs	2
Number of inputs and outputs	Number of digital outputs: 1; Number of analog outputs: 1

Outputs

Output signal	switching signal; analog signal
Electrical design	PNP
Number of digital outputs	1
Output function	normally closed
Max. voltage drop switching output DC [V]	2
Permanent current rating of switching output DC [mA]	500
Number of analog outputs	1
Analog current output [mA]	4...20
Max. load [Ω]	500

VKV021



Vibration monitor with intuitive switch point setting

VIBRATION MONITOR

Short-circuit protection	yes	
Type of short-circuit protection	yes (non-latching)	
Overload protection	yes	
Measuring/setting range		
Measuring range of vibration [mm/s]	0...25; (RMS)	
Frequency range [Hz]	10...1000	
Number of measurement axes	1	
Accuracy / deviations		
Measuring error [% of the final value]	< ± 3	
Linearity deviation	0,25 %	
Reaction times		
Response time [s]	1...60	
Software / programming		
Adjustment of the switch point	setting ring	
Operating conditions		
Ambient temperature [°C]	-25...80	
Note on ambient temperature	UL application: < 80 °C	
Storage temperature [°C]	-25...80	
Protection	IP 67	
Tests / approvals		
EMC	EN 61000-4-2 ESD	4 kV CD / 8 kV AD
	EN 61000-4-3 HF radiated	10 V/m
	EN 61000-4-4 Burst	2 kV
	EN 61000-4-6 HF conducted	10 V
Shock resistance		400 g
MTTF [years]		510
Mechanical data		
Weight [g]		113.5
Type of mounting		M8 x 1,25
Material		PBT; PC; FKM; stainless steel (1.4404 / 316L)
Tightening torque [Nm]		15
Displays / operating elements		
Display	Power	LED, green
	Switching status	LED, yellow
With scale		yes
Operating elements	setting ring	setting ring
Remarks		
Pack quantity		1 pcs.

VKV021



Vibration monitor with intuitive switch point setting

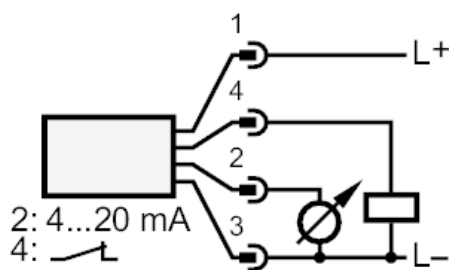
VIBRATION MONITOR

Electrical connection

Connector: 1 x M12; coding: A



Connection



1	L+
2	4...20 mA
3	GND
4	Switching output