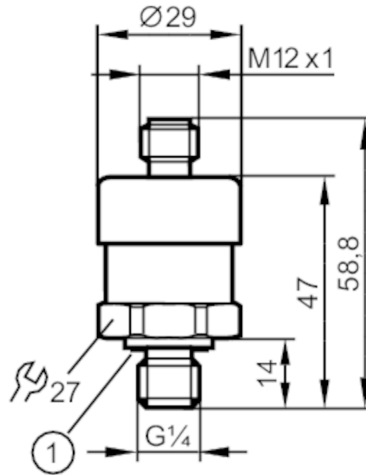


# PT0504



## Pressure transmitter

PT-010-AFG14-A-ZVG/US



1 sealing



### Product characteristics

Number of inputs and outputs	Number of analog outputs: 1			
Measuring range	0...10 bar	0...145 psi	0...1000 kPa	0...1 MPa
Process connection	threaded connection G 1/4 external thread (DIN EN ISO 1179-2)			

### Application

Application	for industrial applications			
Media	liquids and gases			
Medium temperature [°C]	0...80			
Min. burst pressure	50 bar	725 psi	5000 kPa	5 MPa
Pressure rating	20 bar	290 psi	2000 kPa	2 MPa
Type of pressure	Absolute pressure			

### Electrical data

Operating voltage [V]	8...30 DC			
Min. insulation resistance [MΩ]	100; (500 V DC)			
Protection class	III			
Reverse polarity protection	yes			

### Inputs / outputs

Number of inputs and outputs	Number of analog outputs: 1			
------------------------------	-----------------------------	--	--	--

### Outputs

Total number of outputs	1			
Output signal	analog signal			
Number of analog outputs	1			
Analog current output [mA]	4...20			
Max. load [Ω]	800; (U <sub>b</sub> = 24 V; (U <sub>b</sub> - 8 V) / 20 mA)			
Short-circuit proof	yes			

### Measuring/setting range

Measuring range	0...10 bar	0...145 psi	0...1000 kPa	0...1 MPa
-----------------	------------	-------------	--------------	-----------

# PT0504



## Pressure transmitter

PT-010-AFG14-A-ZVG/US

Accuracy / deviations		
Repeatability	[% of the span]	$< \pm 0,1$ ; (with temperature fluctuations $< 10$ K)
Characteristics deviation	[% of the span]	$< \pm 1,0$ ; (incl. zero point and span error, non-linearity, hysteresis)
Linearity deviation	[% of the span]	$< \pm 0,5$ (BFSL) / $< \pm 1,0$ (LS)
Long-term stability	[% of the span]	$< \pm 0,1$ ; (per year)
Temperature coefficient zero point	[% of the span / 10 K]	$< \pm 0,2$ ; (0...80 °C)
Temperature coefficient span	[% of the span / 10 K]	$< \pm 0,2$ ; (0...80 °C)
Reaction times		
Step response time analog output	[ms]	4
Operating conditions		
Ambient temperature	[°C]	0...80
Storage temperature	[°C]	-20...80
Protection		IP 67
Tests / approvals		
EMC		DIN EN 61326-1
Shock resistance		DIN EN 60068-2-27 500 g (1 ms)
Vibration resistance		DIN EN 60068-2-6 10 g (10...2000 Hz)
MTTF	[years]	815
Pressure equipment directive		sound engineering practice; can be used for group 2 fluids; group 1 fluids on request
Mechanical data		
Weight	[g]	118.35
Housing		tubular
Dimensions	[mm]	$\varnothing 29$ / L = 58.8
Material		stainless steel (1.4404 / 316L); HNBR; PA
Materials (wetted parts)		stainless steel (1.4404 / 316L)
Min. pressure cycles		10 million
Tightening torque	[Nm]	25...35; (recommended tightening torque; Depends on lubrication, seal and pressure rating)
Process connection		threaded connection G 1/4 external thread (DIN EN ISO 1179-2)
Process connection sealing		NBR (DIN EN ISO 1179-2)
Fill fluid for pressure transfer		synthetic oil
Restrictor element integrated		no
Remarks		
Remarks		BFSL = Best Fit Straight Line LS = limit value setting
Pack quantity		1 pcs.

# PT0504



## Pressure transmitter

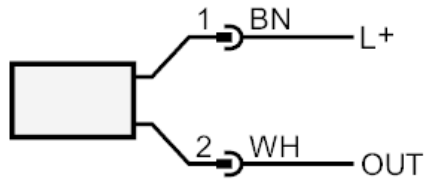
PT-010-AFG14-A-ZVG/US

### Electrical connection

Connector: 1 x M12; coding: A; Contacts: 2



### Connection



OUT            analog output  
                 Colors to DIN EN 60947-5-2  
                 Core colors :  
BN =            brown  
WH =            white