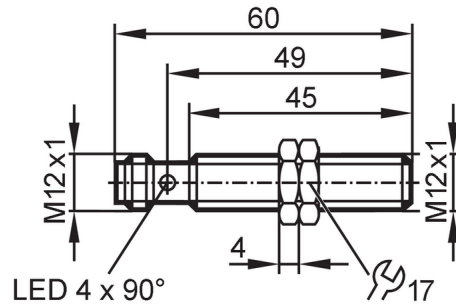


IF5915



Inductive sensor

IFK3004BBPKG/US-104



Product characteristics

Electrical design	PNP
Output function	normally open
Sensing range [mm]	4
Housing	threaded type
Dimensions [mm]	M12 x 1 / L = 60

Application

Special feature	Gold-plated contacts; Increased sensing range
-----------------	-----------------------------------------------

Electrical data

Operating voltage [V]	10...30 DC
Current consumption [mA]	< 10
Protection class	II
Reverse polarity protection	yes

Outputs

Electrical design	PNP
Output function	normally open
Max. voltage drop switching output DC [V]	2.5
Permanent current rating of switching output DC [mA]	200
Switching frequency DC [Hz]	700
Short-circuit protection	yes
Overload protection	yes

Detection zone

Sensing range [mm]	4
Real sensing range S_r [mm]	$4 \pm 10\%$
Operating distance [mm]	0...3.24
Increased sensing range	yes

Accuracy / deviations


Correction factor	steel: 1 / stainless steel: 0.7 / brass: 0.5 / aluminium: 0.4 / copper: 0.3
Hysteresis [% of S_r]	3...15
Switch point drift [% of S_r]	-10...10

IF5915



Inductive sensor

IFK3004BBPKG/US-104

Operating conditions		
Ambient temperature	[°C]	-25...70
Protection		IP 67
Tests / approvals		
EMC	EN 60947-5-2	
	EN 55011	class B
MTTF	[years]	1083
Embedded software included		no
Mechanical data		
Weight	[g]	27.7
Housing		threaded type
Mounting		flush mountable
Dimensions	[mm]	M12 x 1 / L = 60
Thread designation		M12 x 1
Materials		housing: brass white bronze coated; sensing face: LCP white; LED window: PEI; lock nuts: brass white bronze coated
Displays / operating elements		
Display	switching status	4 x LED, yellow
Accessories		
Items supplied		lock nuts: 2
Remarks		
Pack quantity		1 pcs.
Electrical connection - plug		
Connector: 1 x M12; coding: A; Contacts: 3, gold-plated		
		
Connection		
