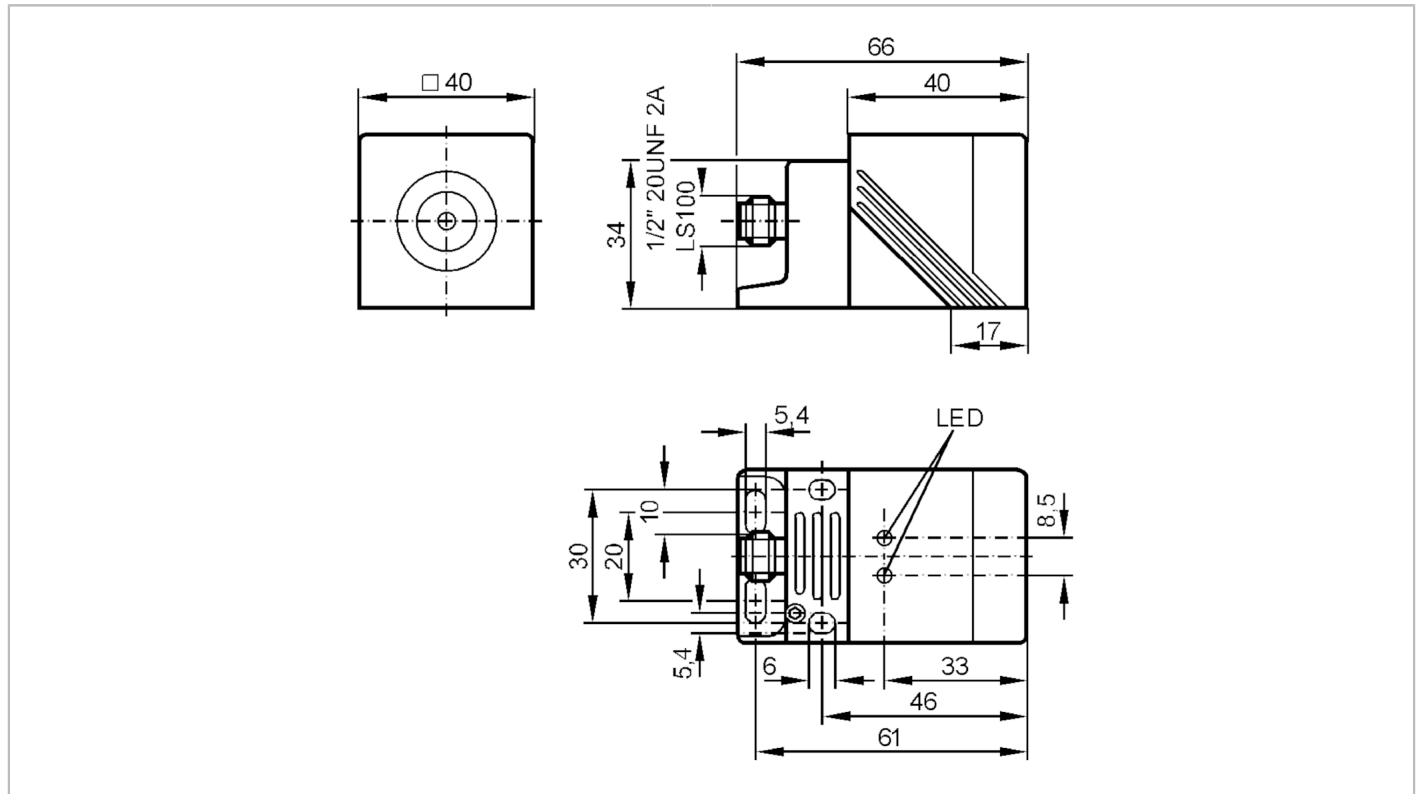


# IM0041



## Inductive sensor

IMC2035-ARKA/LS-100AK



Product characteristics		
Output function		normally open
Sensing range	[mm]	35
Housing		rectangular
Dimensions	[mm]	40 x 40 x 66
Application		
Special feature		Increased sensing range
Electrical data		
Frequency AC	[Hz]	47...63
Operating voltage	[V]	20...140 AC / 10...140 DC
Protection class		I
Reverse polarity protection		yes
Outputs		
Output function		normally open
Max. voltage drop switching output DC	[V]	5.5
Max. voltage drop switching output AC	[V]	5.5
Minimum load current	[mA]	5.5
Max. leakage current	[mA]	1.7 (140 V AC/DC)
Short-time current rating of switching output	[mA]	2200; (20 ms / 0,5 Hz)
Switching frequency AC	[Hz]	25

# IM0041



## Inductive sensor

IMC2035-ARKA/LS-100AK

Switching frequency DC	[Hz]	100
Short-circuit protection		yes
Type of short-circuit protection		yes (non-latching)
Overload protection		yes

### Monitoring range

Sensing range	[mm]	35
Operating distance	[mm]	0...28.3
Increased sensing range		yes

### Accuracy / deviations

Correction factor		steel: 1 / stainless steel: 0.7 / brass: 0.4 / aluminum: 0.4 / copper: 0.3
Hysteresis	[% of Sr]	3...15

### Operating conditions

Ambient temperature	[°C]	-25...70
Protection		IP 67

### Tests / approvals

EMC		EN 60947-5-2
MTTF	[years]	353
UL approval	Ta	0...40 °C
	Enclosure type	Type 1
	File number UL	E174191

### Mechanical data

Weight	[g]	260.3
Housing		rectangular
Mounting		non-flush mountable
Dimensions	[mm]	40 x 40 x 66
Material		PPE; clamp: diecast zinc

### Displays / operating elements

Display	Switching status	1 x LED, red
	Power	1 x LED, green

### Remarks

Remarks	5 positions of the active zone possible
Pack quantity	1 pcs.

# IM0041



## Inductive sensor

IMC2035-ARKA/LS-100AK

### Electrical connection - plug

Connector: 1 x 1/2"; coding: C; Locking: brass

