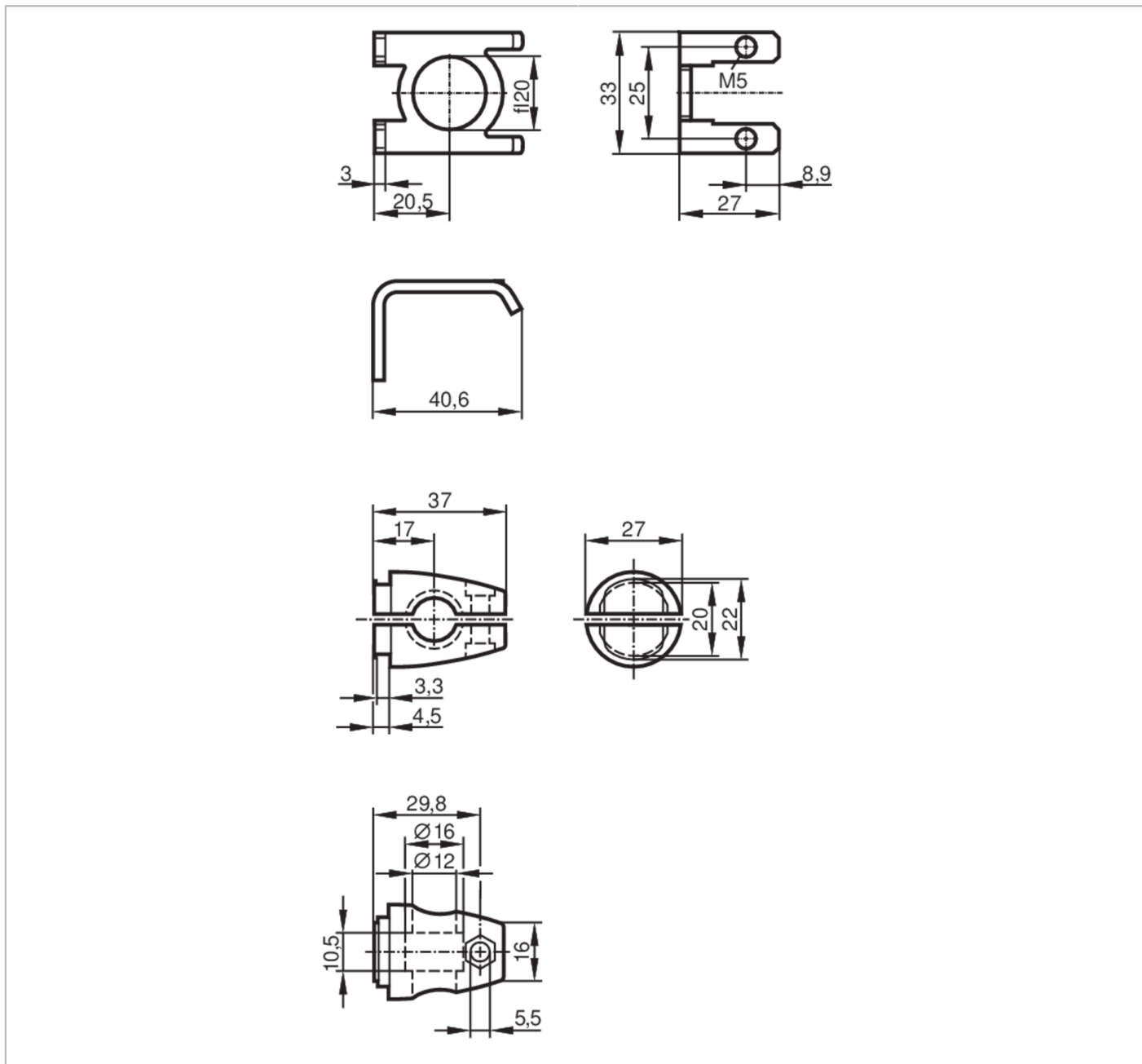


# E21211



## Mounting set for photoelectric sensors

O5 MOUNTING BRACKET 200



Application	
Design	Clamp mounting
Mechanical data	
Weight [g]	105.5
Type of mounting	Mounting rod; (Ø 12 mm)
Material	stainless steel (1.4571/316Ti); Clamp: diecast zinc
Accessories	
Items supplied	cylinder screws: 2 x (M5 x 8 mm)
Remarks	
Pack quantity	1 pcs.