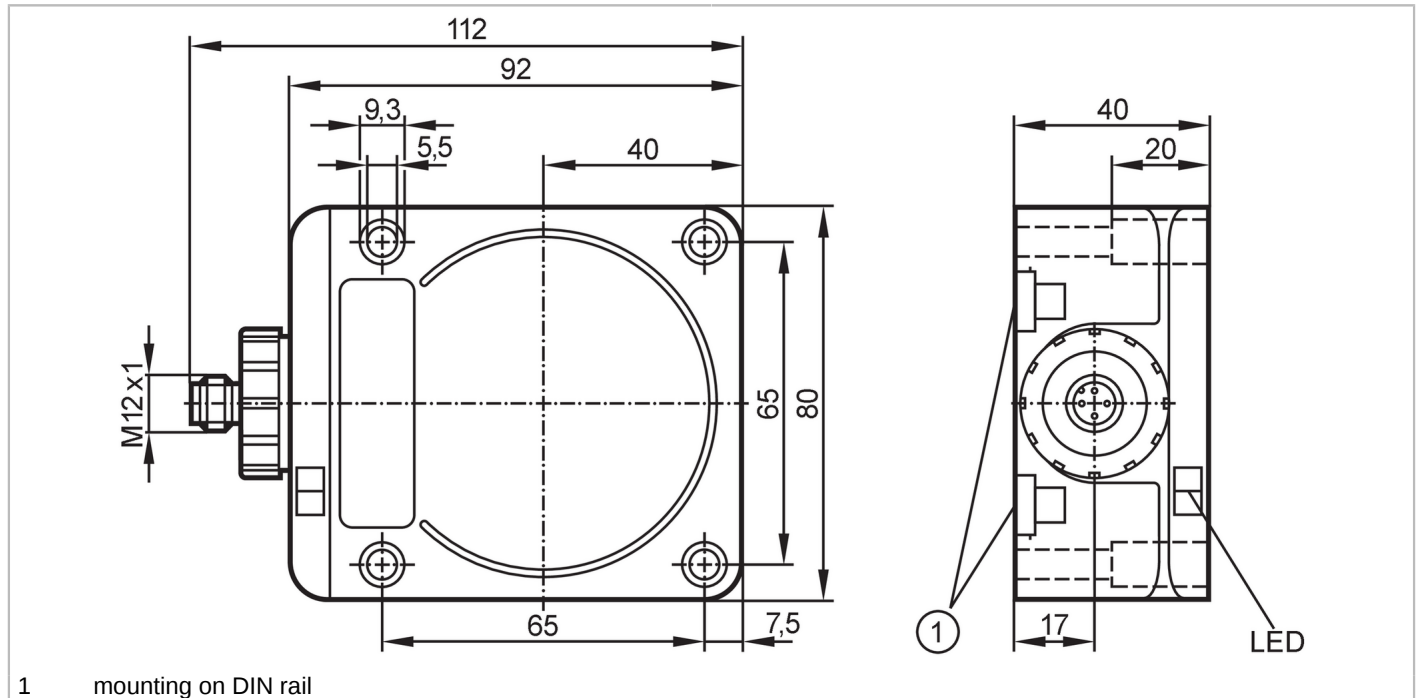


ID9922



Inductive sensor

IDC2050BARKG/UP/US-100 RT



Product characteristics	
Electrical design	PNP/NPN
Output function	normally open
Sensing range [mm]	50
Housing	rectangular
Dimensions [mm]	92 x 80 x 40
Application	
Application	Industrial applications / factory automation
Electrical data	
Operating voltage [V]	10...55 DC
Protection class	II
Reverse polarity protection	yes
Outputs	
Electrical design	PNP/NPN
Output function	normally open
Max. voltage drop switching output DC [V]	4.6
Minimum load current [mA]	4
Max. leakage current [mA]	0.6
Permanent current rating of switching output DC [mA]	400
Switching frequency DC [Hz]	90
Short-circuit protection	yes
Type of short-circuit protection	pulsed

ID9922



Inductive sensor

IDC2050BARKG/UP/US-100 RT

Overload protection	yes
---------------------	-----

Detection zone

Sensing range [mm]	50
Operating distance [mm]	0...40.5; (mounted flush with mild steel (ST37))

Accuracy / deviations

Correction factor	steel: 1 / stainless steel: 0.7 / brass: 0.4 / aluminium: 0.3 / copper: 0.2
Hysteresis [% of Sr]	3...20
Switch point drift [% of Sr]	-15...15

Operating conditions

Ambient temperature [°C]	-25...70
Protection	IP 67

Tests / approvals

EMC	EN 60947-5-2	
	EN 55011	class B
MTTF [years]	1631	

Mechanical data

Weight [g]	399
Housing	rectangular
Mounting	flush mountable
Type of mounting	mounting on DIN rail; (TH35 (EN 60715))
Dimensions [mm]	92 x 80 x 40
Materials	PPE; brass nickel-plated

Displays / operating elements

Display	switching status	1 x LED, red
---------	------------------	--------------

Accessories

Items supplied	sealing plug: 1
----------------	-----------------

Remarks

Pack quantity	1 pcs.
---------------	--------

Electrical connection - plug

Connector: 1 x M12; coding: A; Contacts: 4



ID9922



Inductive sensor

IDC2050BARKG/UP/US-100 RT

Connection

