

PI2793

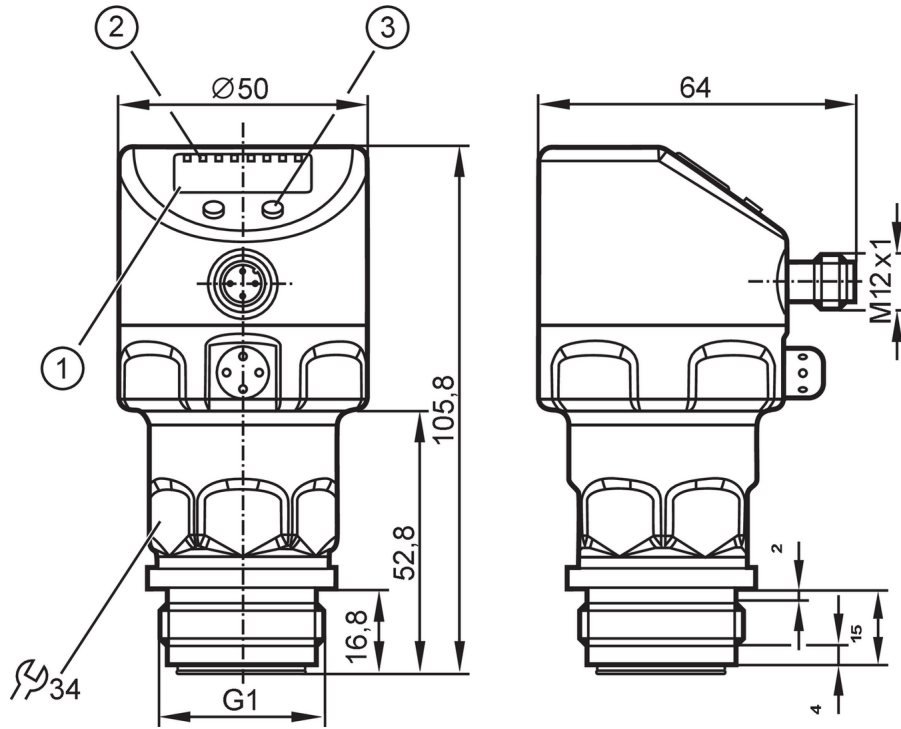


Flush pressure sensor with display

PI-025-REA01-MFRKG/US/ IP

Alternative articles: PI1703

When selecting an alternative article and accessories please note that technical data may differ!



- 1 alphanumeric display 4-digit
- 2 status LEDs
- 3 Programming button



ACS



CRN



US

EC 1935/2004

EHDG Certified

FCM



IO-Link



Reg31



Product characteristics

Number of inputs and outputs	Number of digital outputs: 2; Number of analog outputs: 1		
Measuring range	-1...25 bar	-14.4...362.7 psi	-0.1...2.5 MPa
Process connection	threaded connection G 1 external thread with Aseptoflex Vario sealing contour		
Note	G1 Gewinde nach ISO 228. Alternativ dichtend über rückwärtige Dichtkontur mit Dichtung in Anlehnung an DIN EN ISO 1179-2.		

Application

Special feature	gold-plated contacts		
Application	flush mountable for the food and beverage industry		
Media	viscous media and liquids with suspended particles; liquids and gases		
Medium temperature [°C]	-25...125; (145 max. 1h)		
Min. burst pressure	350 bar	5075 psi	35 MPa
Pressure rating	100 bar	1450 psi	10 MPa
Vacuum resistance	-1000 mbar	-0.1 MPa	
Type of pressure	relative pressure; vacuum		
No dead space	yes		
MAWP (for applications according to CRN) [bar]	60		

Electrical data

Min. insulation resistance [MΩ]	100; (500 V DC)
---------------------------------	-----------------

PI2793



Flush pressure sensor with display

PI-025-REA01-MFRKG/US/ IP

Protection class	III		
Reverse polarity protection	yes		
Integrated watchdog	yes		
2-wire			
Operating voltage [V]	20...32 DC		
Current consumption [mA]	3.6...21		
Power-on delay time [s]	1		
3-wire			
Operating voltage [V]	18...32 DC		
Current consumption [mA]	< 45		
Power-on delay time [s]	0.5		
Inputs / outputs			
Number of inputs and outputs	Number of digital outputs: 2; Number of analog outputs: 1		
Outputs			
Total number of outputs	2		
Output signal	switching signal; analog signal; IO-Link; (configurable)		
Electrical design	PNP/NPN		
Number of digital outputs	2		
Output function	normally open / closed; (configurable)		
Number of analog outputs	1		
Analog current output [mA]	4...20, invertible; (scalable)		
Short-circuit protection	yes		
Type of short-circuit protection	yes (non-latching)		
Overload protection	yes		
2-wire			
Max. load [Ω]	300		
3-wire			
Max. voltage drop switching output DC [V]	2		
Permanent current rating of switching output DC [mA]	250		
Switching frequency DC [Hz]	125		
Max. load [Ω]	(U _b - 10 V) / 20 mA		
Measuring/setting range			
Measuring range	-1...25 bar	-14.4...362.7 psi	-0.1...2.5 MPa
Set point SP	-0.96...25 bar	-13.8...362.7 psi	-0.096...2.5 MPa
Reset point rP	-1...24.96 bar	-14.4...362.1 psi	-0.1...2.496 MPa
Analog start point	-1...18.74 bar	-14.4...271.8 psi	-0.1...1.874 MPa
Analog end point	5.24...25 bar	76.2...362.7 psi	0.524...2.5 MPa
In steps of	0.02 bar	0.3 psi	0.002 MPa
Factory setting		SP1 = 6.24 bar	rP1 = 5.74 bar
		SP2 = 18.74 bar	rP2 = 18.24 bar
		ASP = 0.00 bar	AEP = 25.00 bar
		dAP = 0.06 s	dAA = 0.03 s



Flush pressure sensor with display

PI-025-REA01-MFRKG/US/ IP

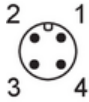
Accuracy / deviations		
Switch point accuracy [% of the span]		< ± 0,2; (Turn down 1:1)
Repeatability [% of the span]		< ± 0,1; (with temperature fluctuations < 10 K; Turn down 1:1)
Characteristics deviation [% of the span]		< ± 0,2; (Turn down 1:1, linearity, incl. hysteresis and repeatability, limit value setting to DIN EN IEC 62828-1)
Linearity deviation [% of the span]		< ± 0,15; (Turn down 1:1)
Hysteresis deviation [% of the span]		< ± 0,15; (Turn down 1:1)
Long-term stability [% of the span]		< ± 0,1; (Turn down 1:1; per year)
Temperature coefficient zero point [% of the span / 10 K]		< ± 0,05; (0...70 °C)
Temperature coefficient span [% of the span / 10 K]		< ± 0,15; (0...70 °C)
Reaction times		
Damping process value dAP [s]		0...30
Damping for the analog output dAA [s]		0.01...99.99
2-wire		
Step response time analog output [ms]		45
3-wire		
Min. response time of switching output (dAP) [ms]		3
Step response time analog output [ms]		7
Interfaces		
Communication interface		IO-Link
Transmission type		COM2 (38,4 kBaud)
IO-Link revision		1.0
SIO mode		yes
Required master port class		A
Process data analog		1
Process data binary		2
Min. process cycle time [ms]		2.3
Supported DeviceIDs	Type of operation	DeviceID
	default	156
Operating conditions		
Ambient temperature [°C]		-25...80
Storage temperature [°C]		-40...100
Protection		IP 67; IP 68; IP 69K

PI2793



Flush pressure sensor with display

PI-025-REA01-MFRKG/US/ IP

Tests / approvals		
EMC	EN 61000-4-2 ESD	4 kV CD / 8 kV AD
	EN 61000-4-3 HF radiated	10 V/m
	EN 61000-4-4 Burst	2 kV
	EN 61000-4-5 Surge	0,5/1 kV
	EN 61000-4-6 HF conducted	10 V
	Shock resistance	DIN IEC 68-2-27
Vibration resistance	DIN IEC 68-2-6	20 g (10...2000 Hz)
MTTF [years]		160
Note on approval	Factory certificate available as download at www.factory-certificate.ifm	
Mechanical data		
Weight [g]		357.5
Housing		tubular
Dimensions [mm]		Ø 50 / L = 105.8
Material	stainless steel (1.4404 / 316L); FKM; PTFE; PBT; PEI; PFA	
Materials (wetted parts)	ceramics (99.9 % Al2O3); stainless steel (1.4435 / 316L) surface characteristics: Ra < 0,4 µm / Rz = 4 µm; PTFE	
Min. pressure cycles		100 million
Process connection	threaded connection G 1 external thread with Aseptoflex Vario sealing contour	
Displays / operating elements		
Display	Display unit	LED, green
	Switching status	LED, yellow
	Function display	alphanumeric display, 4-digit
	Measured values	alphanumeric display, 4-digit
Display unit	bar; psi; MPa; % of the span	
Remarks		
Pack quantity		1 pcs.
Electrical connection		
Connector: 1 x M12; coding: A; Contacts: 4, gold-plated		
		

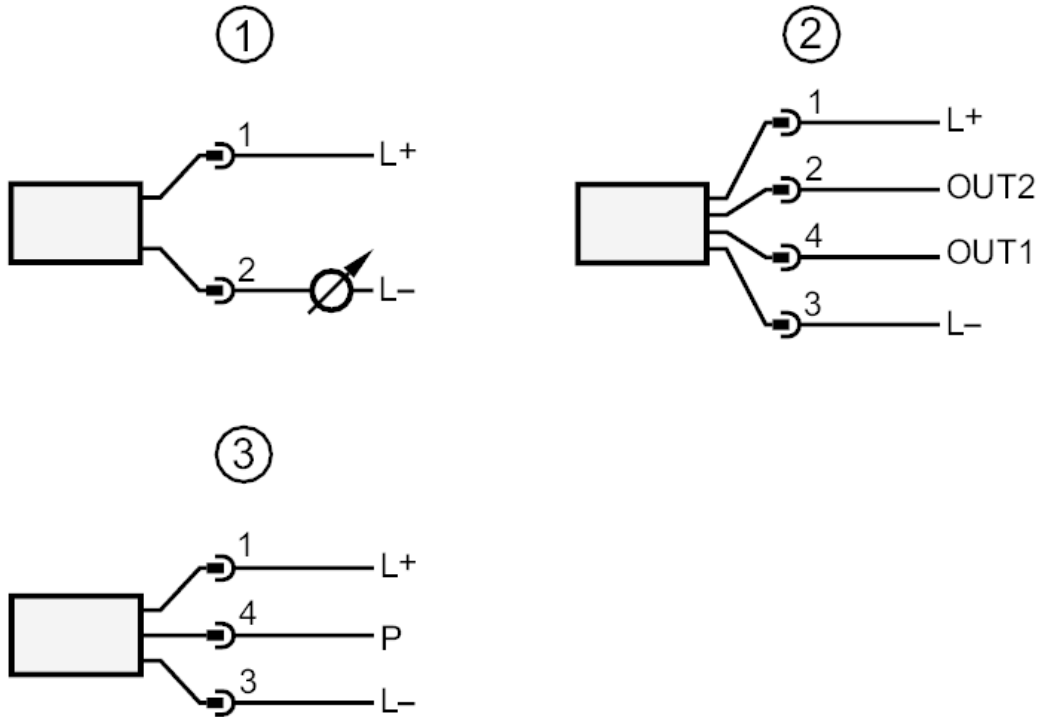
PI2793



Flush pressure sensor with display

PI-025-REA01-MFRKG/US/ IP

Connection



- 1 connection for 2-wire operation
- 2 connection for 3-wire operation :
- OUT1 Switching output
- OUT2 Switching output
- analog output
- 3 connection for IO-Link parameter setting (P = communication via IO-Link)