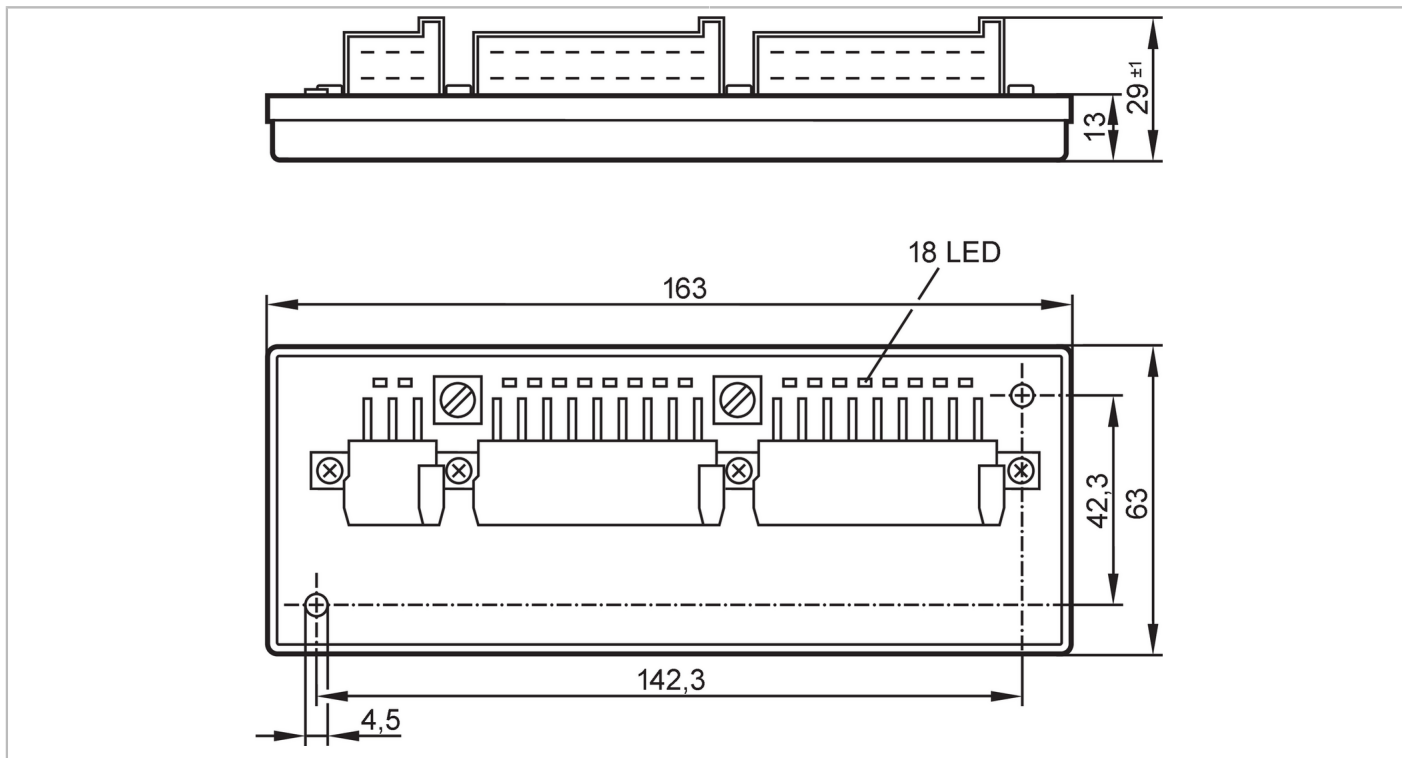


CR2012



I/O modules for mobile machines

R360/MODULE//12/O/4/10V



Electrical data	
Operating voltage	[V] 10...32 DC
Inputs / outputs	
Total number of inputs and outputs	16
Number of inputs and outputs	Number of digital inputs: 16; Number of analog inputs: 4; Number of digital outputs: 4
Inputs	
Number of digital inputs	16
Number of analog inputs	4
Analog input (voltage)	[V] 0...10
Outputs	
Number of digital outputs	4
Number of PWM outputs	2
Software / programming	
Parameter setting options	input/output functions
Interfaces	
Number of CAN interfaces	1
Tests / approvals	
MTTF	[years] 250
Mechanical data	
Weight	[g] 136.5
Housing	rectangular
Type of mounting	Backplane mounting

CR2012



I/O modules for mobile machines

R360/MODULE/I12/O4/10V

Dimensions	[mm]	63 x 163 x 29
Remarks		
Pack quantity		1 pcs.
Electrical connection		
AMP Crimp connector:		