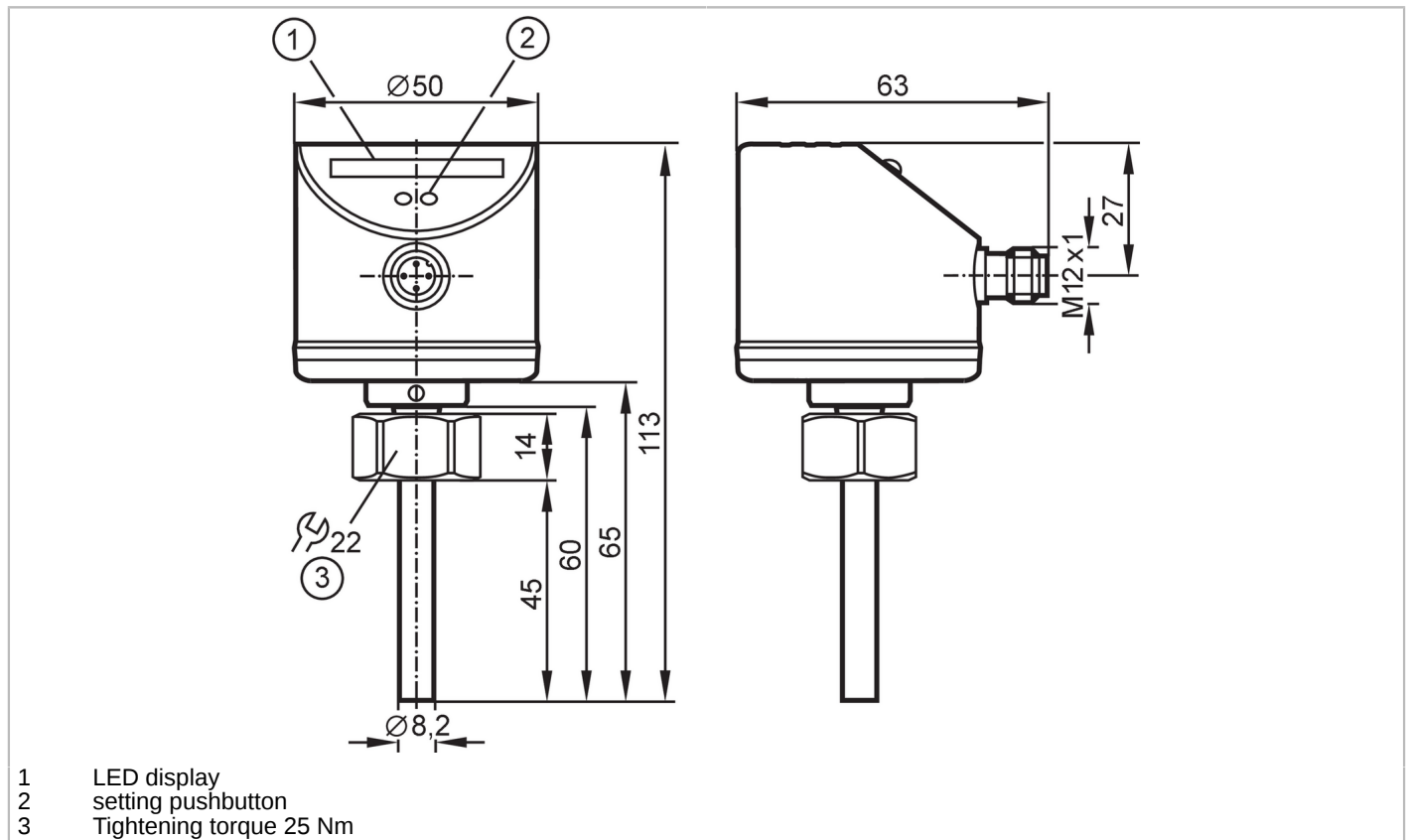


# SI5004



## Flow transmitter

SID10ADB100G/



| Product characteristics                        |   |
|--|---|
| Number of inputs and outputs                   | Number of analog outputs: 1                   |
| Process connection                             | threaded connection M18 x 1,5 Internal thread |
| Application                                    |   |
| Media  | Liquids                                       |
| Medium temperature [°C]                        | -25...80                                      |
| Pressure rating                                | 300 bar 30 MPa                                |
| MAWP (for applications according to CRN) [bar] | 208   |
| Liquids  |   |
| Medium temperature [°C]                        | -25...80                                      |
| Electrical data                                |   |
| Operating voltage [V]                          | 19...36 DC                                    |
| Current consumption [mA]                       | < 60  |
| Protection class                               | III   |
| Reverse polarity protection                    | yes   |
| Power-on delay time [s]                        | 10  |
| Inputs / outputs                               |   |
| Number of inputs and outputs                   | Number of analog outputs: 1                   |
| Outputs  |   |
| Total number of outputs                        | 1   |

# SI5004



## Flow transmitter

SID10ADB100G/

|                          |      |               |
|--------------------------|------|---------------|
| Output signal            |      | analog signal |
| Number of analog outputs |      | 1             |
| Analog current output    | [mA] | 4...20        |
| Max. load                | [Ω]  | 500           |
| Overload protection      |      | yes           |

### Measuring/setting range

|                      |        |         |
|----------------------|--------|---------|
| Probe length L       | [mm]   | 45      |
| Liquids              |        |         |
| Setting range        | [cm/s] | 3...300 |
| Greatest sensitivity | [cm/s] | 3...100 |

### Accuracy / deviations

|                       |                        |  |
|-----------------------|------------------------|--|
| Repeatability         | [cm/s]                 | 1...5  |
| Note on repeatability |                        | for water 5...100 cm/s; 25 °C<br>Factory setting |
| Temperature drift     | [cm/s x 1/K]           | 0.1; (for water 5...100 cm/s; 10...70 °C)        |
| Measuring error       | [% of the final value] | ± 2...± 10                                       |

### Reaction times

|               |     |        |
|---------------|-----|--------|
| Response time | [s] | 1...10 |
| Liquids       |     |        |
| Response time | [s] | 1...10 |

### Operating conditions

|                     |      |           |
|---------------------|------|-----------|
| Ambient temperature | [°C] | -25...80  |
| Storage temperature | [°C] | -25...100 |
| Protection          |      | IP 67     |

### Tests / approvals

|                      |                   |                     |
|----------------------|-------------------|---------------------|
| EMC                  | DIN EN 61000-6-2  |                     |
|                      | DIN EN 61000-6-3  |                     |
| Shock resistance     | DIN EN 60068-2-27 | 50 g (11 ms)        |
| Vibration resistance | DIN EN 60068-2-6  | 20 g (55...2000 Hz) |
| MTTF                 | [years]           | 259                 |

### Mechanical data

|                          |      |   |
|--------------------------|------|---|
| Weight                   | [g]  | 230   |
| Housing                  |      | tubular   |
| Dimensions               | [mm] | Ø 50 / L = 113  |
| Material                 |      | stainless steel (1.4404 / 316L); stainless steel (1.4301 / 304); PC; PBT-GF20; EPDM/X |
| Materials (wetted parts) |      | stainless steel (1.4404 / 316L); O-ring: FKM 80 Shore A                               |
| Process connection       |      | threaded connection M18 x 1,5 Internal thread   |
| Probe diameter           | [mm] | 8.2   |
| Installation length EL   | [mm] | 45  |

### Displays / operating elements

|         |          |                       |
|---------|----------|-----------------------|
| Display | Function | 10 x LED, three-color |
|---------|----------|-----------------------|

# SI5004



## Flow transmitter

SID10ADB100G/

### Remarks

Pack quantity \_\_\_\_\_ 1 pcs.

### Electrical connection

Connector: 1 x M12; coding: A; Contacts: 4



### Connection

