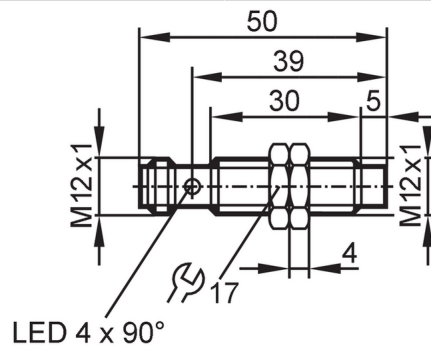


IFT200



Inductive sensor

IFB3007-BPKG/V4A/US-104



Product characteristics

Electrical design		PNP
Output function		normally open
Sensing range	[mm]	7
Housing		Threaded type
Dimensions	[mm]	M12 x 1 / L = 50

Application

Special feature		gold-plated contacts; Increased sensing range
Application		Use in hygienic areas / regular cleaning processes

Electrical data

Operating voltage	[V]	10...30 DC
Current consumption	[mA]	< 10
Protection class		II
Reverse polarity protection		yes

Outputs

Electrical design		PNP
Output function		normally open
Max. voltage drop switching output DC	[V]	2.5
Permanent current rating of switching output DC	[mA]	100
Switching frequency DC	[Hz]	800
Short-circuit protection		yes
Type of short-circuit protection		yes (non-latching)
Overload protection		yes

Monitoring range

Sensing range	[mm]	7
Real sensing range Sr	[mm]	7 ± 10 %
Operating distance	[mm]	0...5.67
Increased sensing range		yes

Accuracy / deviations

Correction factor		steel: 1 / stainless steel: 0.7 / brass: 0.5 / aluminum: 0.4 / copper: 0.3
-------------------	--	--

IFT200



Inductive sensor

IFB3007-BPKG/V4A/US-104

Hysteresis	[% of Sr]	1...20
Switch-point drift	[% of Sr]	-10...10

Operating conditions

Ambient temperature	[°C]	0...100
Protection		IP 68; IP 69K; ("COP")

Tests / approvals

EMC	EN 61000-4-2 ESD	4 kV CD / 8 kV AD
	EN 61000-4-3 HF radiated	10 V/m
	EN 61000-4-4 Burst	2 kV
	EN 61000-4-6 HF conducted	10 V
	EN 55011	class B
MTTF	[years]	1134
UL approval	Ta	0...40 °C
	Enclosure type	Type 1
	voltage supply	Limited Voltage/Current
	UL approval number	A001
	File number UL	E174191

Mechanical data

Weight	[g]	25.8
Housing		Threaded type
Mounting		non-flush mountable
Dimensions	[mm]	M12 x 1 / L = 50
Thread designation		M12 x 1
Material		housing: stainless steel (1.4404 / 316L); sensing face: PEEK natural; LED window: PEI; lock nuts: stainless steel (1.4404 / 316L)
Tightening torque	[Nm]	15

Displays / operating elements

Display	Switching status	4 x LED, yellow
---------	------------------	-----------------

Accessories

Items supplied		lock nuts: 2
----------------	--	--------------

Remarks

Pack quantity		1 pcs.
---------------	--	--------

Electrical connection - plug

Connector: 1 x M12; coding: A; Contacts: 3, gold-plated



IFT200



Inductive sensor

IFB3007-BPKG/V4A/US-104

Connection

