

# IM5015



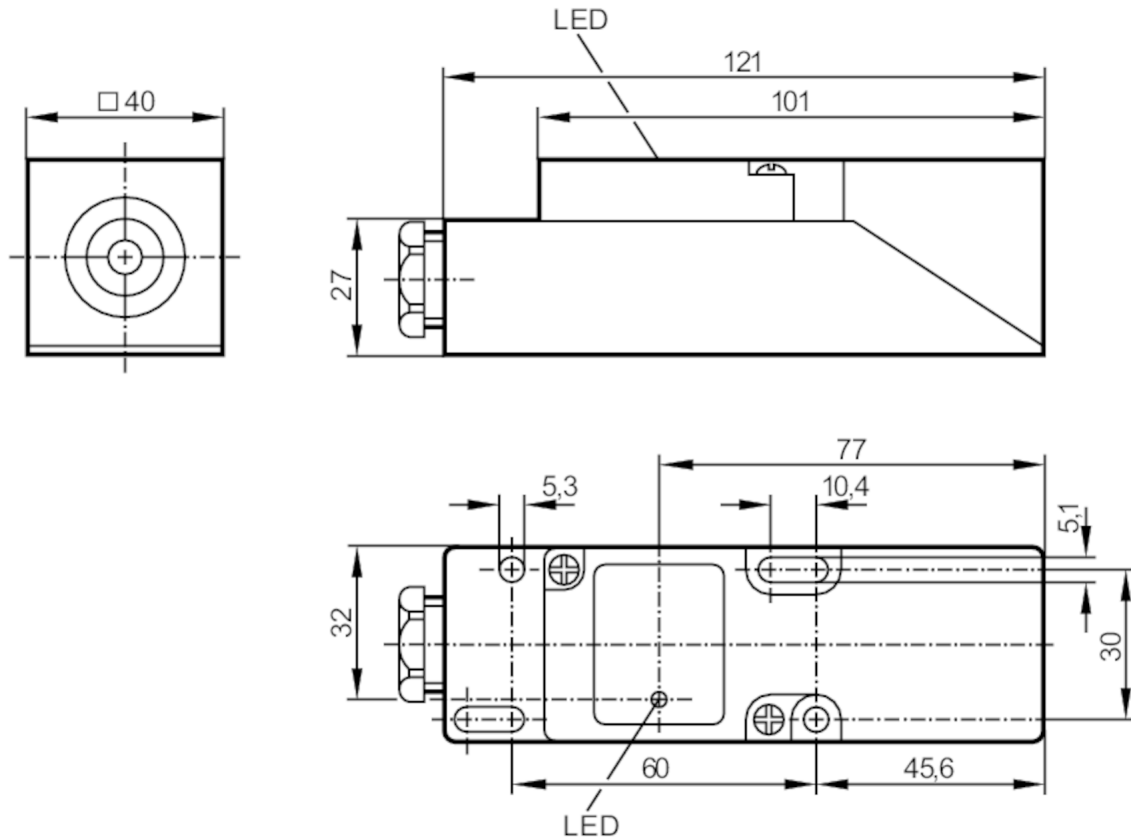
## Inductive sensor

IME2015BFROG

Article no longer available - archive entry

Alternative articles: IM5037

When selecting an alternative article and accessories please note that technical data may differ!



### Product characteristics

Electrical design		PNP/NPN
Output function		normally open / closed; (selectable)
Sensing range	[mm]	15
Housing		rectangular
Dimensions	[mm]	40 x 40 x 120

### Electrical data

Operating voltage	[V]	8...30 DC
Protection class		II
Reverse polarity protection		no

### Outputs

Electrical design		PNP/NPN
Output function		normally open / closed; (selectable)
Max. voltage drop switching output DC	[V]	5.5

# IM5015



## Inductive sensor

IME2015BFROG

Minimum load current	[mA]	5
Max. leakage current	[mA]	1.4 (24 V DC)
Permanent current rating of switching output DC	[mA]	200
Switching frequency DC	[Hz]	18
Short-circuit protection		no
Overload protection		no

Monitoring range		
Sensing range	[mm]	15
Real sensing range Sr	[mm]	15 ± 10 %
Operating distance	[mm]	0...12.1

Accuracy / deviations		
Correction factor		steel: 1 / stainless steel: 0.7 / brass: 0.4 / aluminum: 0.4 / copper: 0.3
Hysteresis	[% of Sr]	1...15
Switch-point drift	[% of Sr]	-10...10

Operating conditions		
Ambient temperature	[°C]	-25...80
Protection		IP 65

Mechanical data		
Housing		rectangular
Mounting		flush mountable
Dimensions	[mm]	40 x 40 x 120
Material		PPE modified

Displays / operating elements		
Display	Switching status	1 x LED, yellow

Remarks		
Pack quantity		1 pcs.

## Electrical connection

terminals: ...2.5 mm<sup>2</sup>; Cable sheath: Ø 7...13 mm

### Connection

