



Process sensors

Precise & convenient: radar level sensor with IO-Link



Level sensors



80 GHz frequency enables level measurement with millimetre precision of up to 10 metres

Non-contact measuring principle: no malfunctions due to deposits or wear

Certified for use in hygienic areas

Simple installation and maintenance-free operation

Remote sensor parameter setting and level monitoring via connection to the IT system



Trouble-free monitoring of large tanks

With the LW2720 level sensor, levels of liquid media in tanks with a height of up to 10 metres can be monitored precisely and without blind areas. The non-contact radar measuring principle prevents malfunctions or failures of the sensor caused by the adhesion of viscous media or damage from agitators. The 80 GHz frequency used ensures stable and precise measurement results even in the presence of steam or condensate in the tank. The sensor is designed for use in hygienic areas, so that even CIP and SIP processes or the use of spray balls do not impair its proper functioning.

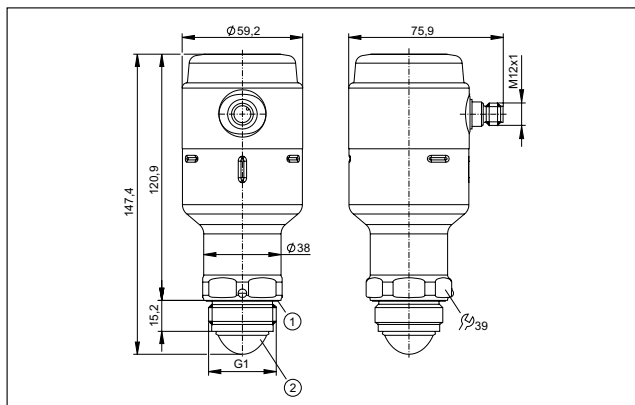


Type	Process connection	Outputs	Order no.
	Aseptoflex Vario G 1	2 switching outputs or 1 switching and 1 analogue output 4...20 mA	LW2720

More convenience thanks to IO-Link

The powerful LW2720 package is completed by the following comfort factors: Sensor installation only takes a few minutes, and sensor parameters can be conveniently set and read out remotely via IO-Link.

Dimensions



- 1) seal
- 2) antenna

Accessories

Description	Order no.
-------------	-----------

Mounting accessories IO-Link

USB IO-Link master for parameter setting and analysis of units, supported communication protocols: IO-Link (4.8, 38.4 and 230 kbits/s)	ZZ1060
moneo configure SA Stand-alone licence, software for online and offline parameter setting of IO-Link devices including maintenance and support until the end of the following year	QMP010
IO-Link Bluetooth adapter	EIO330
IO-Link Bluetooth adapter	E30446
IO-Link data splitter PNP	E43406
IO-Link data splitter NPN	E43410

Connection technology

M12 socket, 4-pole, 5 m grey, MPPE cable	EVF001
M12 socket, 4-pole, 2 m grey, MPPE cable	EVF064
M12 socket, 4-pole, 5 m grey, MPPE cable	EVF004
M12 socket, 4-pole, 2 m grey, MPPE cable	EVF067

Further technical data

Operating voltage	[V DC]	18...30
Current consumption		<= 80 mA
Measuring range		0.01...10 m
Measurement accuracy		± 2 mm
Measuring principle		FMCW (80 GHz)

Accessories

Description	Order no.
-------------	-----------

Product-related documentation

Inspection certificate: Material EN10204-3.1 and test report EN10204-2.2	ZC0076
--	---------------

Mounting adapters

Ø 50 mm – G 1 Aseptoflex Vario, with leakage port	E30130
Clamp DN25...DN40 (1...1.5") – G 1 Aseptoflex Vario, with leakage port	E33208
Clamp DN50 (2") – G 1 Aseptoflex Vario, with leakage port	E33209
Pipe fitting DN32 (1.25") – G 1 Aseptoflex Vario	E33211
Pipe fitting DN40 (1.5") – G 1 Aseptoflex Vario	E33212
Pipe fitting DN50 (2") – G 1 Aseptoflex Vario	E33213
Varivent type F, DN25 (1"), Ø 50 mm – G 1 Aseptoflex Vario, with leakage port	E33228
Varivent type N, DN40...DN150, Ø 68 mm – G 1 Aseptoflex Vario, with leakage port	E33229
Universal process adapter Rd 52 – G 1 Aseptoflex Vario	E33340
O-ring FKM 24 x 2, 1 piece	E30123
O-ring FKM 24 x 2, 5 pieces	E30053
O-ring EPDM 24 x 2, 5 pieces	E30054

We reserve the right to make technical alterations without prior notice. · 11.2021