



Position sensors

One for every application: Kplus inductive sensor in flat pack design



Inductive sensors

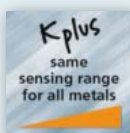
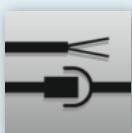
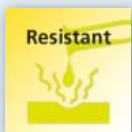
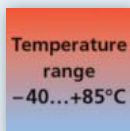


Uniform correction factor (K=1) for reliable detection of all metals

Compact design increases application range and reduces stock-keeping

Noise immunity thanks to high magnetic field immunity up to 300 mT

Non-stick coating to prevent sticking of weld slag



Requires little space and allows versatile use

The compact Kplus sensor in rectangular IQ design is used for metal object position determination in industrial applications with limited space conditions. Due to its constant sensing range for all metals and the PUR cable, suitable for use in drag chains, the sensor is suited, without any extra effort, for multiple application scenarios within an installation.

Robust and weld-field immune

Thanks to its very high magnetic field immunity, reinforced cable sheath and non-stick coating, this sensor is perfectly equipped for welding applications.



Type	Dimensions [mm]	Sensing range [mm]	Connection	Output function	Order no.
Electrical design DC PNP					
	20 x 8 x 32	8 flush	2 m, PUR cable	NO	IQ2010
	20 x 8 x 32	8 flush	2 m, PUR cable	NC	IQ2011
	20 x 8 x 32	8 flush	0.3 m PUR cable / M12 connector	NO	IQ2012
	20 x 8 x 32	8 flush	0.3 m PUR cable / M12 connector	NC	IQ2013
Electrical design DC NPN					
	20 x 8 x 32	8 flush	2 m, PUR cable	NC	IQ2014
	20 x 8 x 32	8 flush	2 m, PUR cable	NO	IQ2015
	20 x 8 x 32	8 flush	0.3 m PUR cable / M12 connector	NC	IQ2016
	20 x 8 x 32	8 flush	0.3 m PUR cable / M12 connector	NO	IQ2017
Electrical design DC PNP · Resistant to weld spatter due to non-stick coating					
	20 x 8 x 32	8 flush	2 m, PUR cable	NO	IQW200
	20 x 8 x 32	8 flush	0.3 m PUR cable / M12 connector	NO	IQW201

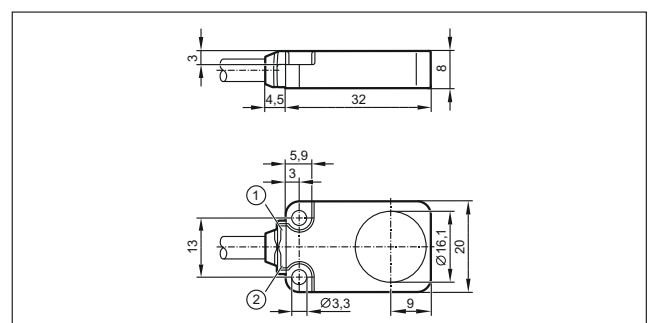
Accessories

Type	Description	Order no.
Installation		
	Angle bracket, stainless steel	E12605
Connection technology		
	Socket, M12, 2 m black, PUR cable	EVC001
	Socket, M12, 5 m black, PUR cable	EVC002
	Socket, M12, 2 m black, PUR cable	EVC004
	Socket, M12, 5 m black, PUR cable	EVC005
	Socket, M12, 2 m grey, PUR cable	EVW001
	Socket, M12, 5 m grey, PUR cable	EVW002
	Socket, M12, 2 m grey, PUR cable	EVW004
	Socket, M12, 5 m grey, PUR cable	EVW005

Common technical data

Correction factors		Steel: 1; Stainless steel: 1; Brass: 1; Aluminium: 1; Copper: 1
Operating voltage	[V DC]	10...30
Current consumption	[mA]	< 20
Reverse polarity protection		•
Short-circuit protection		•
Voltage drop	[V]	< 2.5
Current rating	[mA]	100
Ambient temperature	[°C]	-40...85
Protection rating		IP 65...IP 68
Protection class		III
Switching status indication	LED	yellow
Housing materials		diecast zinc with special coating; Sensing face: LCP natural; LED window: TPU; Potting: PUR
Operating status indication	LED	green

Dimensions



- 1) LED green
2) LED yellow