



Position sensors

# Nothing escapes its attention: smart sensor in flat pack design with IO-Link



Inductive sensors



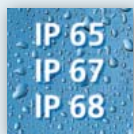
Continuous position feedback via IO-Link

Switch points can be easily adapted via IO-Link at any time

Setting options PNP/NPN or NO/NC help to reduce storage costs

Long life and robustness thanks to flush installation and a high temperature range

Compact rectangular housing for installation in restricted spaces



## Space-saving and robust

The new compact IQ rectangular housing is ideal for the limited space found in conveyor technology and factory automation. The flush installation of the sensor facilitates mounting and prevents mechanical damage. Together with a high impact and vibration resistance and a wide temperature range, this ensures long life.

## Versatile thanks to IO-Link

In order to solve demanding position detection tasks, the distance value is continuously provided via IO-Link. Two switch points can be set to the nearest millimetre via IO-Link. Besides, the sensor provides various configuration options, such as NO/NC or PNP/NPN, which reduces storage costs for different sensor types.



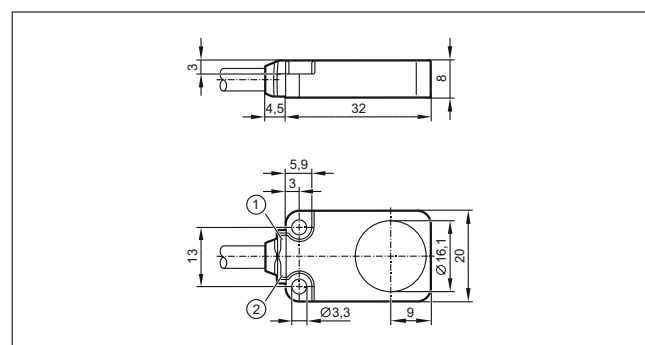
Type	Dimensions [mm]	Sensing range [mm]	Connection	Output function	Order no.
<b>Electrical design DC PNP</b>					
	20 x 8 x 32	8 flush	2 m, PUR cable	normally open	<b>IQ2000</b>
	20 x 8 x 32	8 flush	2 m, PUR cable	normally closed	<b>IQ2001</b>
	20 x 8 x 32	8 flush	0.3 m PUR cable / M12 connector	normally open	<b>IQ2002</b>
	20 x 8 x 32	8 flush	0.3 m PUR cable / M12 connector	normally closed	<b>IQ2003</b>
<b>Electrical design DC NPN</b>					
	20 x 8 x 32	8 flush	2 m, PUR cable	normally closed	<b>IQ2004</b>
	20 x 8 x 32	8 flush	2 m, PUR cable	normally open	<b>IQ2005</b>
	20 x 8 x 32	8 flush	0.3 m PUR cable / M12 connector	normally closed	<b>IQ2006</b>
	20 x 8 x 32	8 flush	0.3 m PUR cable / M12 connector	normally open	<b>IQ2007</b>
<b>Electrical design DC PNP/NPN programmable · IO-Link</b>					
	20 x 8 x 32	8 flush	2 m, PUR cable	NO / NC programmable	<b>IQ2008</b>
	20 x 8 x 32	8 flush	0.3 m PUR cable / M12 connector	NO / NC programmable	<b>IQ2009</b>

### Accessories

Type	Description	Order no.
<b>Installation</b>		
	Angle bracket, stainless steel	<b>E12605</b>
<b>IO-Link</b>		
	USB IO-Link master for parameter setting and analysis of units Supported communication protocols: IO-Link (4.8, 38.4 and 230 Kbits/s)	<b>E30390</b>
	LR DEVICE (supplied on USB flash drive) Software for online and offline parameter setting of IO-Link sensors and actuators	<b>QA0011</b>
<b>Connection technology</b>		
	Socket, M12, 2 m, black, PUR cable	<b>EVC001</b>
	Socket, M12, 5 m, black, PUR cable	<b>EVC002</b>

Further technical data		
Operating voltage	[V DC]	10...30
Switching frequency	[Hz]	400
Ambient temperature	[°C]	-40...85
Reverse polarity protection		•
Short-circuit protection		•
Protection rating		IP 65, IP 67, IP 68
Switching status indication	LED	yellow
Operating status indication	LED	green
Housing material		metal, sensing face PBT

### Dimensions



- 1) LED green
- 2) LED yellow

We reserve the right to make technical alterations without prior notice. · 04.2019