



Position sensors

# Full-metal sensors M8 for limited space



Inductive sensors



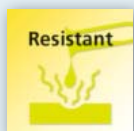
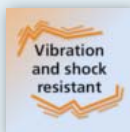
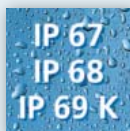
**High-quality robust stainless steel design**

**Small design M8 for use in the smallest of spaces**

**Wide temperature ranges up to +100 °C for different applications**

**IP 65 to IP 69K for greater reliability**

**Easy and reliable ecolink M8 connector**



## Long life and robustness for position detection in a very small space

Whether used in factory automation, with oils and coolants, in mobile applications or the food and beverage industry: Thanks to their robust full-metal housing, these small inductive M8 sensors are extremely resistant problem solvers, for example when it comes to end position detection. Even permanent contact with moisture, oils or aggressive cleaning agents is not a problem for these sensors.

Extreme temperatures (-40...85 or 0...100 °C, depending on the version) do not affect precise position detection. Even where space is at a premium and the sensors are mounted closely to each other, they maintain their long sensing range and provide sufficient excess gain.

ifm provides M8 ecolink connectors in various designs for easy and reliable electrical connection.





Type	Total length [mm]	Sensing range [mm]	T <sub>a</sub> [°C]	Electrical design	Output function	Order no.
------	----------------------	-----------------------	------------------------	-------------------	-----------------	-----------





**M8 connector- 3-wire DC**

M8 x 1	45	3 quasi flush	-40...85	PNP	normally open	<b>IEC211</b>
M8 x 1	45	5 non flush	-40...85	PNP	normally open	<b>IEC212</b>
M8 x 1	45	3 quasi flush	0...100	PNP	normally open	<b>IET200</b>
M8 x 1	45	5 non flush	0...100	PNP	normally open	<b>IET201</b>

**Accessories**

Type	Description	Order no.
	Angle bracket for M8 design, stainless steel	<b>E10734</b>
	Mounting clip for type M8	<b>E11521</b>

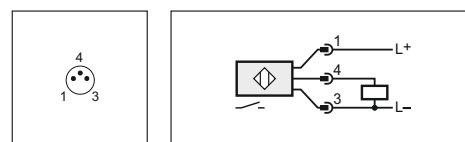
**Connection technology**

Type	Description	Order no.
	Socket, M8, 3 poles 2 m, black, PUR cable	<b>EVC141</b>
	Socket, M8, 3 poles 2 m, black, PUR cable	<b>EVC144</b>
	Socket, M8, 3 poles 2 m, grey, MPPE cable	<b>EVF122</b>
	Socket, M8, 3 poles 2 m, grey, MPPE cable	<b>EVF126</b>

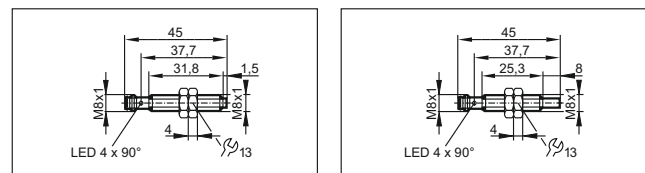
**Further technical data**

Operating voltage	[V DC]	10...30
Current rating	[mA]	100
Reverse polarity protection		•
Short-circuit protection		•
Housing material		high-grade stainless steel (316L)
Switching status indication	[LED]	yellow (4 x 90°)

**Wiring diagram**



**Dimensions**



IEC211, IET200

IEC212, IET201