



Position sensors

# The measure of things: measuring photoelectric sensor O8 in compact design



Photoelectric sensors



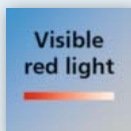
**Colour-independent distance measurement even of very flat or reflective objects**

**Easy parameter setting and measured value output to the nearest millimetre via IO-Link**

**Compact light spot for precise detection even at longer distances**

**Extremely reliable background suppression**

**Installation within seconds, space-saving design**



## Compact photoelectric sensor with maximum precision

The new powerful O8 is an optimum choice for applications where space is at a premium, for example handling technology and robotics. With the quick mounting set the sensor can be mounted with just one M3 screw within seconds. The new O8 guarantees a reliable distance measurement thanks to its colour-independent operating principle and reliable background suppression. This allows correct detection of small, flat or reflective objects.





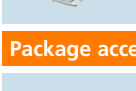
## Reliable and efficient thanks to IO-Link

The range can easily be set via IO-Link. As an alternative, the distance value can be provided continuously to the nearest millimetre similar to analogue sensors. So a binary diffuse reflection sensor turns into a precise distance sensor, for example, for height and linear measurement of objects.



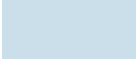


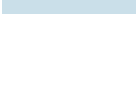



Type [H, W, D]	Range [mm]	Spot Ø at max. range [mm]	Connection	Order no.
<b>Diffuse reflection sensor with background suppression, 3 wires DC PNP</b>				
Rectangular 28.1 x 8.1 x 14.4 mm	80	4	2 m, PVC cable	<b>O8H270</b>
	80	4	0.3 m PVC cable / M8 connector, 3 poles	<b>O8H271</b>
	80	4	0.3 m PVC cable / M8 connector, 4 poles	<b>O8H272</b>
	80	4	0.3 m PVC cable / M12 connector, 4 poles	<b>O8H273</b>



### Accessories

Type	Description	Order no.
<b>Installation</b>		
	Mounting set for clamp mounting, stainless steel, Ø 12 mm	<b>E21297</b>
	Mounting set for clamp mounting, stainless steel, Ø 10 mm	<b>E21298</b>
	Rod, 120 mm, Ø 10 mm, M8 thread, stainless steel	<b>E21081</b>
	Angle bracket for free-standing mounting, quick mounting, stainless steel	<b>E21289</b>
	Angle bracket for free-standing mounting, stainless steel	<b>E21291</b>

### Package accessories, system components

	Sensor, 0.3 m, PUR cable, M8 connector	<b>O8H272</b>
	IO-Link master DataLine PROFINET interface, 4 ports	<b>AL1300</b>
	IO-Link master display, connection to master	<b>E30443</b>
	Connection cable, M12, 2 m, black, PUR	<b>EVC013</b>
	Connection cable, M12 / M8, 2 m orange, PVC	<b>EVT215</b>
	Ethernet connection cable M12 / RJ45, 0.5 m	<b>E12490</b>
	LR DEVICE (supplied on USB stick) Software for online and offline parameter setting of IO-Link sensors and actuators	<b>QA0011</b>

### IO-Link

	USB IO-Link master for parameter setting and analysis of units Supported communication protocols: IO-Link (4.8, 38.4 and 230 kBit/s)	<b>E30390</b>
	Memory plug, parameter memory for IO-Link sensors	<b>E30398</b>

### Common technical data

Operating voltage	[V DC]	10...30
Type of light / wave length		red light, 633 nm
Output light-on / dark-on mode		light-on / dark-on selectable
Protection rating, protection class		IP65 / IP67, III
Switching frequency	[Hz]	1000
Switching status indication	LED	yellow
Operation	LED	green
Current rating	[mA]	100
Voltage drop	[V]	< 2.5
Short-circuit protection, pulsed		•
Reverse polarity / overload protection		• / •
Ambient temperature	[°C]	-25...60
Materials	Housing	ABS;
	Lens	316L / 1.4404 PMMA

### Package accessories

