



IO-Link

Converter between analogue signals and IO-Link



IO-Link devices



Conversion of analogue signals into IO-Link or vice versa (depending on the version)

Supports analogue values as current or voltage signals (4...20mA or 0...10V)

Industry 4.0 integration for conventional analogue sensors

- Easy parameter setting via IO-Link
- Digital transmission eliminates the risk of EMC interference



Conversion of analogue signals into IO-Link

The converters DP2200 and DP1222 can translate analogue sensor signals 4...20 mA or 0...10 V into digital IO-Link communication. Advantages: Digital process transmission is immune to EMC interference. Moreover, with these converters, it is possible to use older analogue sensors in modern Industry 4.0 applications.

Conversion of IO-Link into analogue signals

The converters DP1213 and DP1223 convert measured digital IO-Link values into two independent analogue output signals, depending on the version, either 4...20 mA or 0...10V. Analogue signals are, for example, needed as target values for proportional valves or for frequency inverters for motor control.

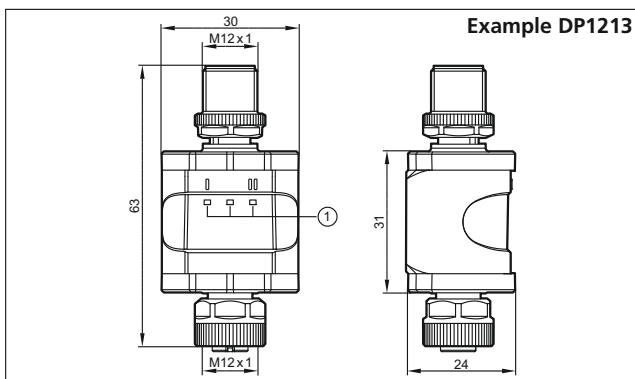


Type	U _b [V DC]	Inputs	Outputs	Display	Protection rating	Ambient temperature [°C]	Order no.
------	--------------------------	--------	---------	---------	-------------------	--------------------------	-----------

Converter · M12 connector

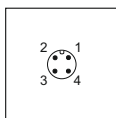
	18...30	1 x 4...20 mA	1 x digital / IO-Link	•	IP 67	-25...70	DP2200
	18...30	IO-Link	2 x 4...20 mA	–	IP 67	-25...70	DP1213
	18...30	2 x 0...10 V	IO-Link	–	IP 67	-25...70	DP1222
	18...30	IO-Link	2 x 0...10 V	–	IP 67	-25...70	DP1223

Dimensions



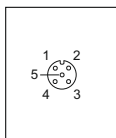
1) LEDs

DP1213 wiring diagram



M12: Connector

Pin 1: L+
Pin 2: Not connected
Pin 3: L-
Pin 4: C/Q IO-Link



M12: Socket

Pin 1: L+
Pin 2: 4...20 mA analogue output 2
Pin 3: L-
Pin 4: 4...20 mA analogue output 1
Pin 5: Not connected

Accessories

Type	Description	Order no.
------	-------------	-----------

Installation

	Mounting clip	E89208
--	---------------	---------------

IO-Link

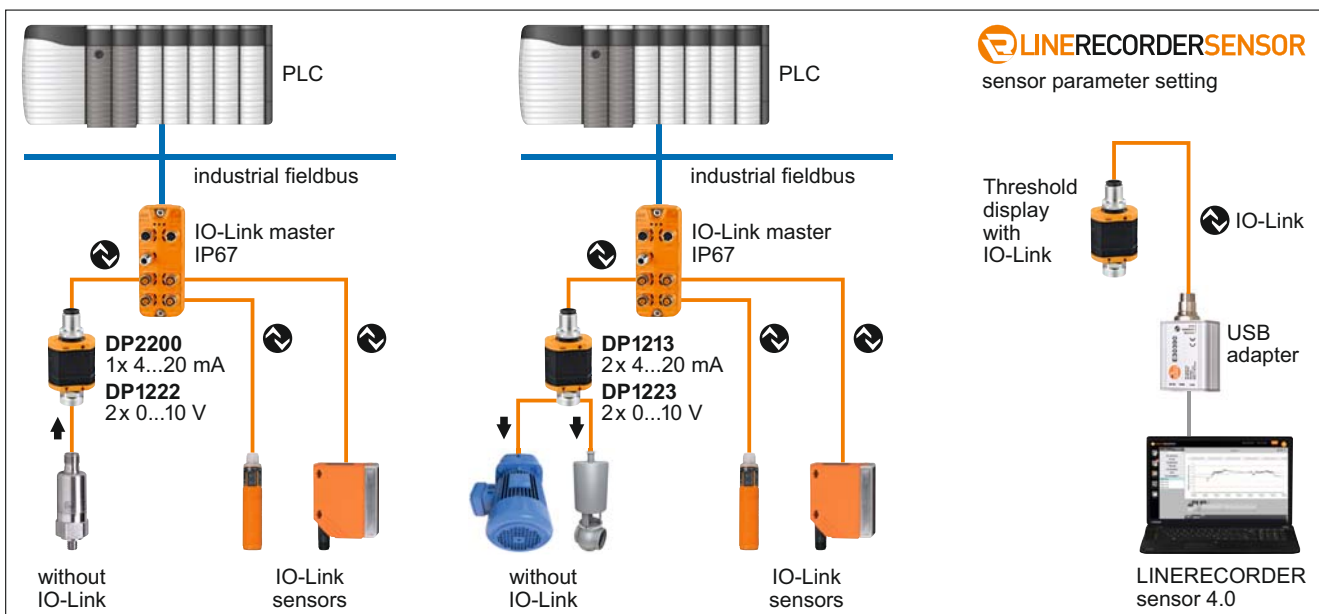
	USB IO-Link master for parameter setting and analysis of units Supported communication protocols: IO-Link (4.8, 38.4 and 230 Kbits/s)	E30390
--	---	---------------

	LR DEVICE (supplied on USB flash drive) Software for online and offline parameter setting of IO-Link sensors and actuators	QA0011
--	---	---------------

Connection technology

	Y-splitter, coolant 1 x M12 connector, 2 x M12 socket, PA, brass	EBC117
--	---	---------------

Typical system configurations



We reserve the right to make technical alterations without prior notice. · 11.2019