



Process sensors

Conductivity sensor LDL200 for CIP monitoring – a new approach



Analytical sensors



Reduce inaccuracies associated with a time-based cleaning process

Improve process performance with flexible measurement points

Compact, high-quality sensor design prevents failures and unplanned downtime

- Simplify your installation and commissioning processes
- Loss-free signal transmission of measurement values



Applications

The sensors are used in cleaning processes (CIP) in the food industry. They detect the concentration of cleaning agents, check the rinsing water for residues and for product validation.

Potential

Precise, fast and reliable measurements during the process help to improve plant availability and optimize cleaning cycles. Reduced amount of cleaning agents, lower energy consumption during rinsing and lower water consumption result in considerable cost savings.

Benefits when using ifm

Simple order process, extremely short delivery times, user-friendly integration into the application – Are you now interested?



Advantages of LDL at a glance:

Much shorter commissioning time

- No need for additional evaluation electronics
- Simple wiring using M12

Robust and compact design

- The fully welded stainless steel housing prevents water ingress

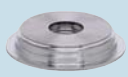
Attractive offer

- High availability and fast delivery times
- Flexible adapter concept reduces / simplifies warehousing




Accessories

Type	Description	Order no.
------	-------------	-----------



Process adapter Varivent

	G 1 external thread, Aseptoflex Vario – Varivent Form N, DN40...DN150, D = 68	E33222
	G 1 external thread, Aseptoflex Vario – Varivent Form N, DN40...DN150, D = 68	E33229
	G 1 external thread, Aseptoflex Vario – Varivent Form F, DN25, D = 50	E33221
	G 1 external thread, Aseptoflex Vario – Varivent Form F, DN25, D = 50	E33228



Welding adapter

	D60 – G 1 external thread Aseptoflex Vario with leakage port	E30149
	D60 – G 1 external thread Aseptoflex Vario	E30150
	D50 – G 1 external thread Aseptoflex Vario	E30122
	D50 – G 1 external thread Aseptoflex Vario with leakage port	E30130
	Weld mandrel adapter G 1	E30435

IO-Link

	USB IO-Link master for parameter setting and analysis of units Supported communication protocols: IO-Link (4.8, 38.4 and 230 kBit/s)	E30390
	LR DEVICE (supplied on USB flash drive) Software for online and offline parameter setting of IO-Link sensors and actuators	QA0011

Connection technology

	Socket, M12, 4-pole 5 m, grey, MPPE cable	EVF001
	Socket, M12, 4-pole 2 m, grey, MPPE cable	EVF064
	Socket, M12, 4-pole 5 m, grey, MPPE cable	EVF004
	Socket, M12, 4-pole 2 m, grey, MPPE cable	EVF067

Process connection	Insertion depth [mm]	Order no.
--------------------	-------------------------	-----------

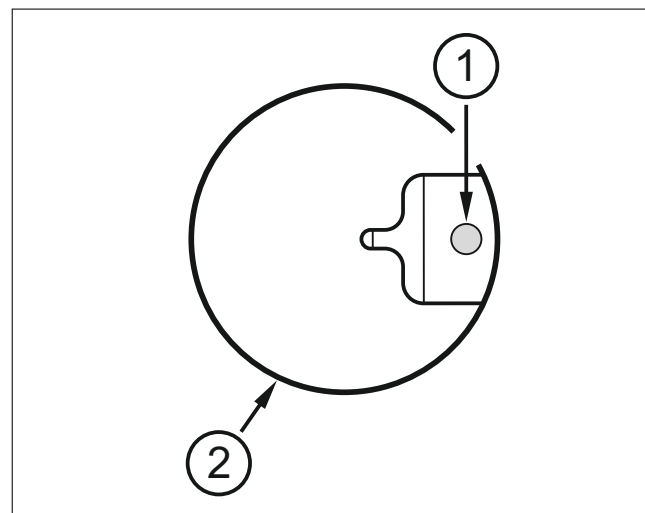
Application: compact design, mounting in small pipe diameters (DN25)

G 1 Aseptoflex Vario	35	LDL200
----------------------	----	---------------

Further technical details

Operating voltage	[V DC]	18...30
Current consumption	[mA]	< 70
Measurement range conductivity	[μS/cm]	100...1.000.000
Measurement range medium temperature	[°C]	-25...100; (< 1 h: 150)
Pressure rating	[bar]	16
Accuracy conductivity		2 % MW ± 25 μS/cm
Repeatability conductivity		1 % MW ± 25 μS/cm
Materials		1.4404 (stainless steel / 316L); PEEK; PEI; FKM

Mounting in pipes



- Sensor measurement element (1) must completely reach into the pipe (2).
- Reset installation e.g. on T connection piece is not allowed.