



Process sensors

New pressure sensors with robust pressure measuring cell for homogenisers



Pressure sensors



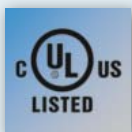
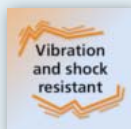
Process connections especially for homogenisers

Latest diaphragm seal technology

High pressure resistance and high bursting pressure

Measuring range of 250, 400 and 600 bar

Compact design for limited space

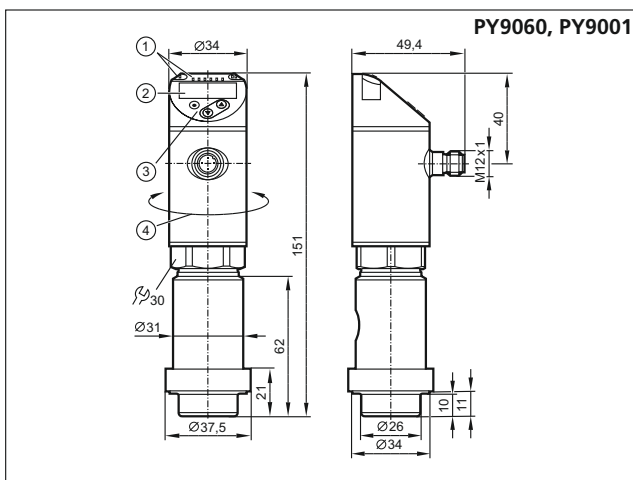
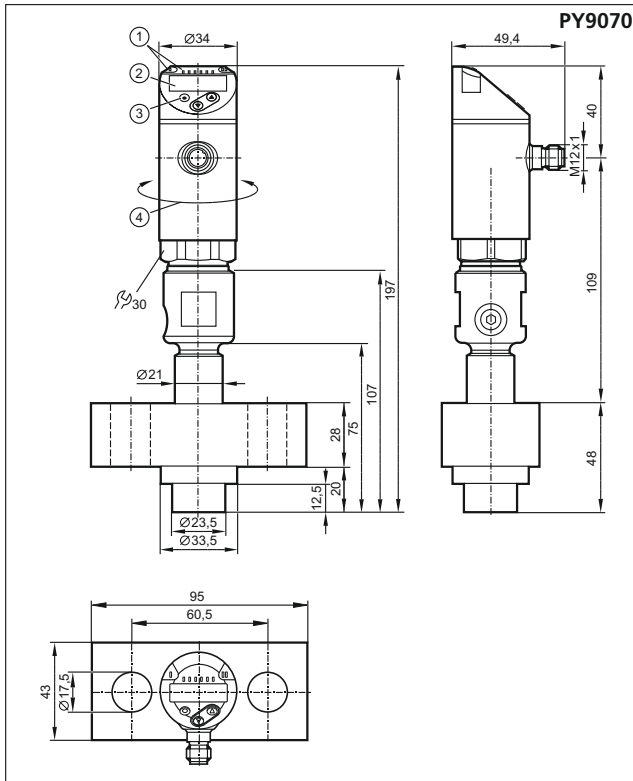


Highest functionality

The pressure sensors for homogenisers have been updated and now feature IO-Link, switching output, scalable analogue output, an additional pressure range and better performance in addition to the new housing. They also feature setting via 3 push-buttons, 2-colour display as well as clearly visible switch point LEDs. In homogenisers you can often find very high pressure peaks which can damage the pressure sensors. The new sensors are equipped with extremely robust diaphragm seals and have been tested successfully at 1.2 times the nominal pressure and 60 million cycles.


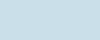
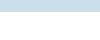


Dimensions



- 1) LEDs (display unit / switching status)
- 2) 4-digit alphanumeric display / alternating indication (red and green)
- 3) programming button
- 4) upper part of the housing can be rotated by 345°

Connection technology

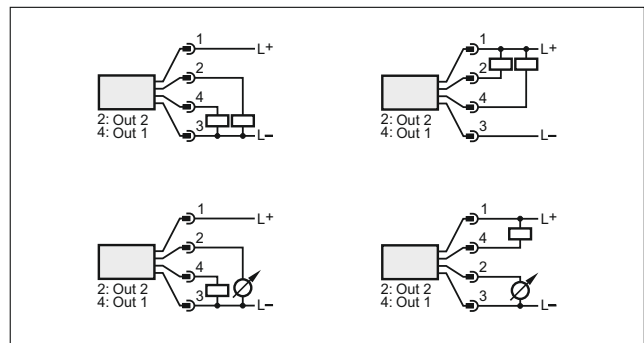
Type	Description	Order no.
	Socket, M12, 2 m, grey, MPPE cable	EVF067
	Socket, M12, 5 m, grey, MPPE cable	EVF004
	Socket, M12, 10 m, grey, MPPE cable	EVF005

Measuring range relative pressure [bar]	Poverload max. [bar]	Pburst min. [bar]	Order no.
0...600	800	1200	PY9060
0...400	600	1000	PY9070
0...250	500	1000	PY9001


Common technical data

Operating voltage	[V DC]	18...30
Reverse polarity protection		•
Accuracy / deviation (in % of the span)		
Linearity error		< ± 1.0
Linearity		< ± 0.4
Hysteresis		< ± 0.1
Repeatability		< ± 0.1
Long-term stability		< ± 0.05
Temperature coefficient (TEMPCO) in the temperature range -40...90 °C (in % of the span per 10 K)		
TEMPCO of zero		< ± 0.2
TEMPCO of the span		< ± 0.2
Medium temperature	[°C]	5...90 (<1h: 145)
Ambient temperature	[°C]	5...80
IO-Link revision		1.1
Protection rating		IP 67
Materials in contact with the medium		high-grade stainless steel (1.4435)
Step response time	[ms]	3

Wiring diagram



Accessories

Type	Description	Order no.
	Protective cover	E30420
	Tag clip	E30422